

Frigidaire

Home Comfort



Frigidaire

Cool, quiet comfort.

Nothing says home comfort like Frigidaire®. Nobody delivers better quality, better service or a broader variety of home comfort products.

With units ranging from 5,000 BTUH to 28,500 BTUH we provide quiet, efficient and reliable air conditioners for years of trouble-free service.

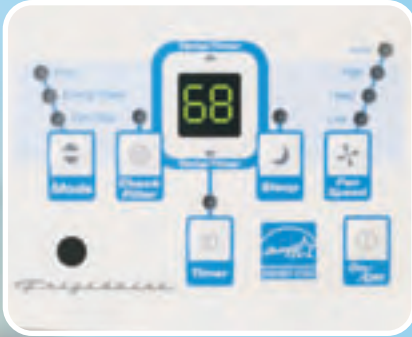
Most include a remote thermostat, clean air filtration and low voltage start-up to add to consumer comfort, convenience and safety.

And with our ENERGY STAR® qualification for efficiency, we can provide comfort and savings for any room in your home.

You expect all this from Frigidaire®...and we deliver.



Room Air Conditioner Features



Electronic Controls

Allow you to set the comfort level to your preference, while a convenient temperature readout displays the set temperature.



Antimicrobial Filter

Reduces bacteria, room odors and other airborne particles for a cool, comfortable environment.



Multi-Step Fan

Allows you to select from three convenient speeds to cool a room.



Sleep Mode

Increases room temperature by two degrees in the first thirty minutes and another two after an hour. Conveniently, the controls return the unit to the original preset temperature after seven hours.



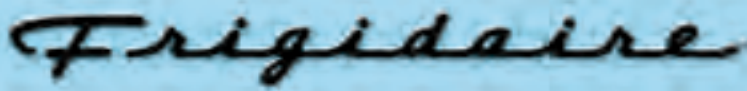
Full Function Remote

Provides temperature and fan speed selection from a distance while the Remote Thermostat ensures precise temperature control at the location of the remote.



Leakage Current Detection and Interruption Device

Adds an extra measure of safety by monitoring the power cord for damage. If current flow in the cord is disrupted, power is terminated.



How to Choose a Room Air Conditioner

Compared to large capacity central units, room air conditioners have several advantages. The initial cost of a room air conditioning unit is significantly lower than the cost of central air. Because room air conditioners are designed for cooling small spaces, operating costs are reduced. And, room air conditioners can provide personalized temperature and humidity controls that central systems cannot.

Calculating Cooling Capacity

Cooling capacity is the critical factor in properly selecting a room air conditioner. Cooling capacity is measured in British Thermal Units (BTUs) and typical models will range in capacity from 5,000 BTUs to 28,500 BTUs.

Choosing an undersized unit will overwork the unit and it will not cool properly. Choosing an oversized unit will cost more to buy and operate and it will not dehumidify properly.

Your dealer can help you to calculate capacity. Be prepared to provide specific information on:

- Room dimensions
- A simple floor plan to show the location of doors and north-facing windows
- The number of people it will serve
- Sources of heat such as lamps, TV and appliances
- An explanation of what's above the intended room
- Your insulation provisions

Cooling Capacity by Room Size

Measure the length and width of the area to be cooled. Multiply the length by the width to determine square footage or square meters. Locate the room size in the chart below to select the appropriate BTUs. Then use the product information to select the unit for your room.

Room Size		BTU
Sq. Ft.	Sq. m	
150	14	<i>Up to</i> 5,000
165	15	5,200
216	20	6,000
350	33	8,000
425	39	9,000
500	46	10,000
640	60	14,000
900	84	15,100
1,110	103	18,000
1,170	109	18,500
1,435	133	22,000
1,672	154	25,000
1,960	182	28,500

Note:

When cooling rooms with uninsulated ceilings, great rooms, or southern or western sun exposures – step up to the next BTU size or consult your sales professional.



Mini
FAX054P7A
(Shown)

- 5,000 BTUH cooling capacity
- Rotary fan control on base model
- Electronic controls with remote available on select model
- Cools 150 sq. ft. rooms
- 2-way air direction control
- Slide-out filter access
- 2 models available
- Pleated quick mount window kit included for clean installation
- See specifications chart for specific model features



Mini Compact
FAA086P7A
(Shown)



- 5,200 to 8,000 BTUH cooling capacity
- Rotary fan 3-speed control on base models
- Units with full-function electronic controls available. Temperature sensing remote control with thermostat on select models
- Multi-Step fan speeds on electronic models
- Cools room sizes from 165 to 350 sq. ft.
- 8-way air direction control
- Tilt-out filter access
- Clean air (ionizer) models available
- 6 models available
- ENERGY STAR® models available
- Pleated quick mount window kit included for clean installation
- See specifications chart for specific model features

Rated "Best Buy"
by a leading
consumer magazine



Compact
FAC126P1A
(Shown)



- 10,000 to 12,000 BTUH cooling capacity
- Rotary fan 3-speed control on base models
- Units with full-function electronic controls available. Temperature sensing remote control with thermostat on select models
- Multi-Step fan speeds on electronic models
- Cools room sizes from 500 to 640 sq. ft.
- 8-way air direction control
- Tilt-out filter access
- Clean air (ionizer) models available
- 6 models available
- ENERGY STAR® models available
- Pleated quick mount window kit included for clean installation
- See specifications chart for specific model features

Rated "Best Buy"
by a leading
consumer magazine

Frigidaire



Median

FAM186R2A

(Shown)



- 15,100 to 18,500 BTUH cooling capacity
- 16,000 BTUH heating capacity available on select heat and cool model
- Rotary fan 3-speed control available on base model
- Units with full-function electronic controls available. Temperature sensing remote control with thermostat on select models
- Multi-Step fan speeds
- Cools room sizes from 900 to 1,170 sq. ft.
- Multi-directional air control
- Tilt-out filter access
- Clean air ionizer available
- 3 models available
- ENERGY STAR® models available
- Pleated quick mount window kit included for clean installation
- Slide-out chassis
- See specifications chart for specific model features



Heavy-Duty

FAS256R2A

(Shown)



- 22,000 to 28,500 BTUH cooling capacity
- 16,000 BTUH heating capacity available on select heat and cool model
- Rotary fan 3-speed control available on base model
- Units with full-function electronic controls available. Temperature sensing remote control with thermostat on select models
- Multi-Step fan speeds
- Cools room sizes from 1,435 to 1,960 sq. ft.
- Multi-directional air control
- Tilt-out filter access
- Clean air ionizer available
- 4 models available
- ENERGY STAR® models available
- Pleated quick mount window kit included for clean installation
- Slide-out chassis
- See specifications chart for specific model features



Through-The-Wall

FAH106S2T

(Shown)



- 8,000 to 14,000 BTUH cooling capacity
- 4,200 to 10,600 BTUH heating capacity available on select heat and cool models
- 3 fan speeds
- Units with full-function electronic controls available. Temperature sensing remote control with thermostat on select models
- Cools or heats room sizes from 350 to 640 sq. ft.
- 4-way air direction control
- Fits all existing wall sleeves. New wall sleeves available
- Optional window mounting kit available
- Available in 115 or 230/208V
- 14 models available
- ENERGY STAR® models available
- Universal trim kit covers space between the sleeve and unit
- See specifications chart for specific model features



Slider/Casement

FAK124R1V

(Shown)



- 8,000 to 12,000 BTUH cooling capacity
- 3 fan speeds
- Units have full-function electronic controls with remote
- Cools room sizes from 350 to 640 sq. ft.
- 4-way air direction control
- Easy mount window kit
- Optional high window kit available
- 3 models available
- ENERGY STAR® model available
- See specifications chart for specific model features

Frigidaire



Dehumidifier

FDF70S1

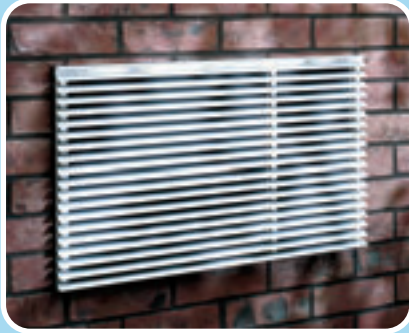
(Shown)



- 2 fan speeds on 50- and 70-pint models
- Low temperature operation
- Units with full-function electronic controls available
- Washable filter removes both moisture and airborne particulates
- Easily accessible collection container for complete portability. Level indicator signals when container is full
- Continuous operation is possible when located near a suitable drain
- Fully portable with casters
- Available in 115 voltage
- 3 models available
- ENERGY STAR® models available
- See specifications chart for specific model features



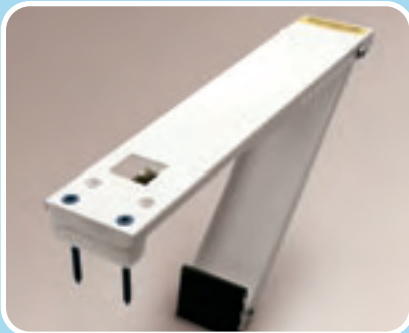
Accessories



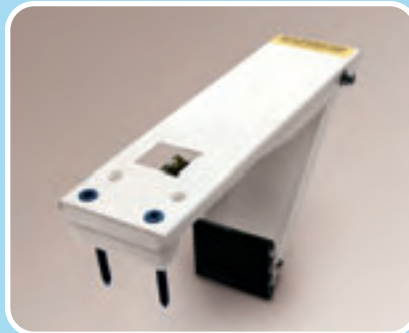
Attractive Architectural Grille (EA109T)
Heavy-duty, heavy-gauge, anodized aluminum rear grille kit has easy indoor installation and can be ordered for all through-the-wall models.



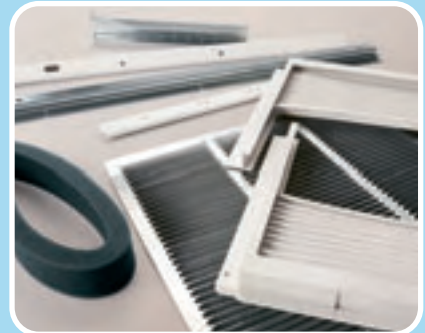
Through-The-Wall Builder Sleeve (EA108T)
All-weather, galvanized steel with internal support for security. Includes a weather-tight seal, adjustable mounting brackets and aluminum rear grille.



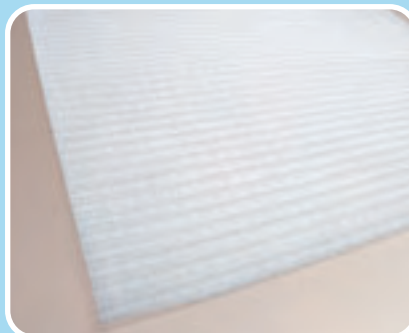
Universal Large A/C Support Bracket (AC-160)
Supports standard 12,000 BTU - 24,000 BTU A/C units weighing up to 160 lbs. Provides window unit security and has easy indoor installation.



Universal Small A/C Support Bracket (AC-080)
Supports standard 5,000 BTU - 10,000 BTU A/C units weighing up to 80 lbs.



Through-The-Wall Window Mounting Kit (EA102T)
Adapts Frigidaire® Through-The-Wall models for 28" to 41" wide, 17-1/2" minimum high windows. Specially treated quick-mount side panels resist UV-ray deterioration. Includes rear grille.



Universal Antimicrobial Cut-To-Fit Filter (5304437663)
Washable, reusable filter resists bacteria, mold and fungus growth, removes common particulates and lasts six times longer than standard foam filters



A/C Weather Seal (5304426311)
Foam compresses to seal window unit or sash, reducing vibration, outside noises, dust, insects, cold drafts in winter and warm air during summer.

Frigidaire® Home Comfort Product Parts and Accessories

All Parts and Accessories can be ordered at the same time and through the same channels that the product is ordered or can be ordered by calling 1-866-233-8353, by visiting the website at <http://frigidaire.stores.yahoo.net/homecomfort.html> or via fax at 1-706-228-6733.

MINI AIR CONDITIONERS

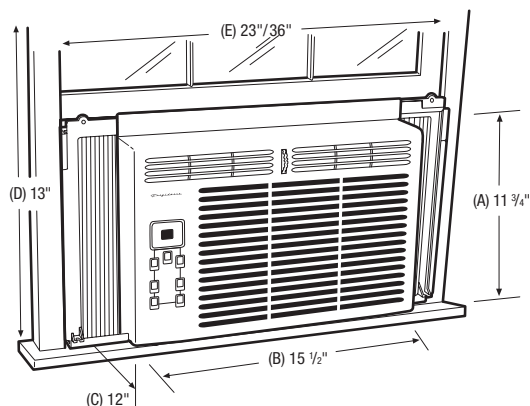
Model	FAX052P7A	FAX054P7A
Series	Frigidaire	Frigidaire
Performance		
BTU (Cool)	5,000	5,000
Dehumidification (Pints/Hour)	0.8	0.8
Cool Area (Sq. Ft.)	150	150
EER	9.7	9.7
Electrical		
Volts	115	115
Amps (Cool)	5.2	5.2
Watts (Cool)	515	515
Length of Power Cord	6'	6'
Plug Type (NEMA)*	LCDI (A)	LCDI (A)
Features		
Controls	Mechanical	Electronic
Fan Speeds (Cool/Fan/Heat)	2/2/-	3/3/-
Low Voltage Start-Up	•	•
Auto Cool Function	•	•
Energy Save	•	•
24 Hour On/Off Timer	•	•
Remote Control	•	•
Air CFM (High/Med/Low)	150-110	150-110
Air Direction Control	2-Way	2-Way
Fresh Air/Exhaust Vent/Closed	No/No/Yes	No/No/Yes
Filter Type	Antimicrobial Mesh	Antimicrobial Mesh
Filter Access	Slide-Out	Slide-Out
Cabinet Louvers	•	•
Window Mounting Kit	Pleated Quick Mount	Pleated Quick Mount
Dimensions		
A-Cabinet Height	11-3/4"	11-3/4"
B-Cabinet Width	15-1/2"	15-1/2"
C-Cabinet Depth	12"	12"
D-Window Height (Min.)	13"	13"
E-Window Width (Min.)	23"/36"	23"/36"
Carton Height	15"	15"
Carton Width	18-1/16"	18-1/16"
Carton Depth	15-1/2"	15-1/2"
Unit Weight	40 Lbs.	40 Lbs.
Shipping Weight	45 Lbs.	45 Lbs.
UPC (0-12505)	27081-9	27082-6



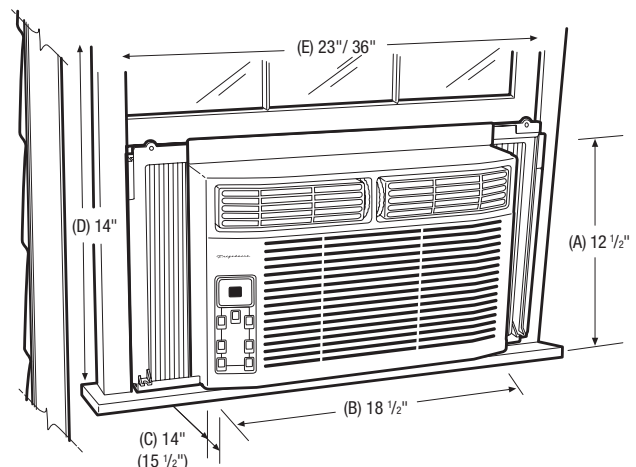
INSTALLATION

The following dimension and cutout information is for planning purposes only. For complete installation details consult manual packed with product, or download manual at Customer Service, online at frigidaire.com.

Mini Models



Mini Compact Models



* Plug Type (NEMA)





(A)
5-15P

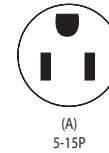
MINI COMPACT AIR CONDITIONERS

Model	FAA055P7A	FAA062P7A	FAA065P7A	FAA082P7A	FAA084P7A	FAA086P7A
Series	Frigidaire	Frigidaire	Frigidaire	Frigidaire	Frigidaire	Frigidaire
ENERGY STAR®						
Performance						
BTU (Cool)	5,200	6,000	6,000	8,000	8,000	8,000
Dehumidification (Pints/Hour)	1.1	1.3	1.3	1.7	1.7	1.7
Cool Area (Sq. Ft.)	165	216	216	350	350	350
EER	11.0	9.7	10.7	9.8	9.8	10.8
Electrical						
Volts	115	115	115	115	115	115
Amps (Cool)	4.9	6.0	5.5	7.5	7.5	7.1
Watts (Cool)	475	620	560	815	815	740
Length of Power Cord	6'	6'	6'	6'	6'	6'
Plug Type (NEMA)*	LCDI (A)	LCDI (A)	LCDI (A)	LCDI (A)	LCDI (A)	LCDI (A)
Features						
Controls	Electronic	Mechanical	Electronic	Mechanical	Electronic	Electronic
Fan Speeds (Cool/Fan/Heat)	3/3/-	3/3/-	3/3/-	3/3/-	3/3/-	3/3/-
Low Voltage Start-Up	•	•	•	•	•	•
Auto Cool Function	•	•	•	•	•	•
Energy Save	•	•	•	•	•	•
Sleep Mode	•	•	•	•	•	•
Filter Check	•	•	•	•	•	•
24 Hour On/Off Timer	•	•	•	•	•	•
Remote Control	Full-Function		Full-Function		Full Function	Full-Function & Remote T'Stat
Air CFM (High/Med/Low)	180/162/150	174/156/144	174/156/144	225/204/186	225/204/186	240/216/198
Air Direction Control	8-Way	8-Way	8-Way	8-Way	8-Way	8-Way
Fresh Air/Exhaust Vent/Closed	No/No/Yes	No/No/Yes	No/No/Yes	No/No/Yes	No/No/Yes	No/No/Yes
Filter Type	Clean Air Ionizer	Antimicrobial Mesh	Clean Air Ionizer	Antimicrobial Mesh	Antimicrobial Mesh	Clean Air Ionizer
Filter Access	Tilt-Out	Tilt-Out	Tilt-Out	Tilt-Out	Tilt-Out	Tilt-Out
Cabinet Louvers	•	•	•	•	•	•
Window Mounting Kit	Pleated Quick Mount	Pleated Quick Mount	Pleated Quick Mount	Pleated Quick Mount	Pleated Quick Mount	Pleated Quick Mount
Dimensions						
A-Cabinet Height	12-1/2"	12-1/2"	12-1/2"	12-1/2"	12-1/2"	12-1/2"
B-Cabinet Width	18-1/2"	18-1/2"	18-1/2"	18-1/2"	18-1/2"	18-1/2"
C-Cabinet Depth (with Front)	14" (15-1/2")	14" (15-1/2")	14" (15-1/2")	14" (15-1/2")	14" (15-1/2")	14" (15-1/2")
D-Window Height (Min.)	14"	14"	14"	14"	14"	14"
E-Window Width (Min./Max.)	23"/36"	23"/36"	23"/36"	23"/36"	23"/36"	23"/36"
Carton Height	14-3/4"	14-3/4"	14-3/4"	14-3/4"	14-3/4"	14-3/4"
Carton Width	21-3/4"	21-3/4"	21-3/4"	21-3/4"	21-3/4"	21-3/4"
Carton Depth	18-1/4"	18-1/4"	18-1/4"	18-1/4"	18-1/4"	18-1/4"
Unit Weight	48 Lbs.	49 Lbs.	49 Lbs.	53 Lbs.	53 Lbs.	54 Lbs.
Shipping Weight	55 Lbs.	56 Lbs.	56 Lbs.	60 Lbs.	60 Lbs.	61 Lbs.
UPC (0-12505)	27084-0	27087-1	27090-1	27092-5	27094-9	27096-3

COMPACT AIR CONDITIONERS

Model	FAC102P1A	FAC104P1A	FAC106P1A	FAC122P1A	FAC124P1A	FAC126P1A
Series	Frigidaire	Frigidaire	Frigidaire	Frigidaire	Frigidaire	Frigidaire
ENERGY STAR*						
Performance						
BTU (Cool)	10,000	10,000	10,000	12,000	12,000	12,000
Dehumidification (Pints/Hour)	2.7	2.7	3.0	3.8	3.8	3.8
Cool Area (Sq. Ft.)	500	500	500	640	640	640
EER	9.8	9.8	10.8	9.8	9.8	10.8
Electrical						
Volts	115	115	115	115	115	115
Amps (Cool)	10.2	10.2	9.7	11.6	11.6	11.4
Watts (Cool)	1,020	1,020	925	1,220	1,220	1,110
Length of Power Cord	6'	6'	6'	6'	6'	6'
Plug Type (NEMA)*	LCDI (A)	LCDI (A)	LCDI (A)	LCDI (A)	LCDI (A)	LCDI (A)
Features						
Controls	Mechanical	Electronic	Electronic	Mechanical	Electronic	Electronic
Fan Speeds (Cool/Fan/Heat)	3/3/-	3/3/-	3/3/-	3/3/-	3/3/-	3/3/-
Low Voltage Start-Up	•	•	•	•	•	•
Auto Cool Function	•	•	•	•	•	•
Energy Save	•	•	•	•	•	•
Sleep Mode	•	•	•	•	•	•
Filter Check	•	•	•	•	•	•
24 Hour On/Off Timer	•	•	•	•	•	•
Remote Control		Full-Function	Full-Function & Remote T'Stat		Full-Function	Full-Function & Remote T'Stat
Air CFM (High/Med/Low)	318/294/270	318/294/270	288/264/240	288/264/240	288/264/240	288/264/240
Air Direction Control	8-Way	8-Way	8-Way	8-Way	8-Way	8-Way
Fresh Air/Exhaust Vent/Closed	Yes/Yes/Yes	Yes/Yes/Yes	Yes/Yes/Yes	Yes/Yes/Yes	Yes/Yes/Yes	Yes/Yes/Yes
Filter Type	Antimicrobial Mesh	Antimicrobial Mesh	Clean Air Ionizer	Antimicrobial Mesh	Antimicrobial Mesh	Clean Air Ionizer
Filter Access	Tilt-Out	Tilt-Out	Tilt-Out	Tilt-Out	Tilt-Out	Tilt-Out
Cabinet Louvers	•	•	•	•	•	•
Window Mounting Kit	Pleated Quick Mount	Pleated Quick Mount	Pleated Quick Mount	Pleated Quick Mount	Pleated Quick Mount	Pleated Quick Mount
Dimensions						
A- Cabinet Height	14"	14"	14"	14"	14"	14"
B- Cabinet Width	19"	19"	19"	19"	19"	19"
C- Cabinet Depth (with Front)	19-3/4" (21-1/4")	19-3/4" (21-1/4")	19-3/4" (21-1/4")	19-3/4" (21-1/4")	19-3/4" (21-1/4")	19-3/4" (21-1/4")
D- Window Height (Min.)	14-1/4"	14-1/4"	14-1/4"	14-1/4"	14-1/4"	14-1/4"
E- Window Width (Min./Max.)	23"/36"	23"/36"	23"/36"	23"/36"	23"/36"	23"/36"
Carton Height	16-3/4"	16-3/4"	16-3/4"	16-3/4"	16-3/4"	16-3/4"
Carton Width	22-1/4"	22-1/4"	22-1/4"	22-1/4"	22-1/4"	22-1/4"
Carton Depth	23-1/4"	23-1/4"	23-1/4"	23-1/4"	23-1/4"	23-1/4"
Unit Weight	68 Lbs.	70 Lbs.	73 Lbs.	75 Lbs.	75 Lbs.	80 Lbs.
Shipping Weight	76 Lbs.	78 Lbs.	81 Lbs.	83 Lbs.	83 Lbs.	88 Lbs.
UPC (0-12505)	27097-0	27098-7	27100-7	27101-4	27102-1	27104-5

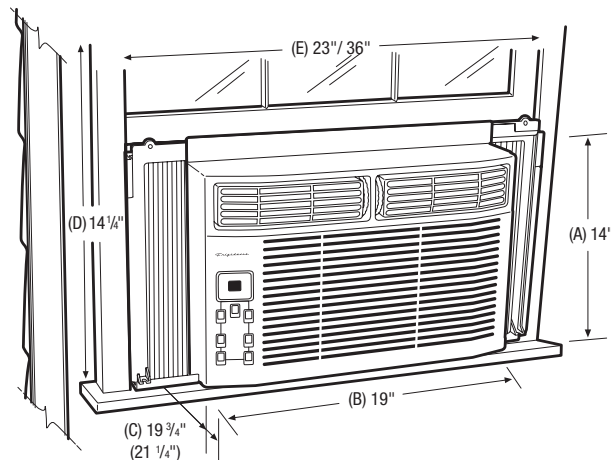
* Plug Type (NEMA)





INSTALLATION

The following dimension and cutout information is for planning purposes only. For complete installation details consult manual packed with product, or download manual at Customer Service, online at frigidaire.com.

Compact Models



MEDIAN AIR CONDITIONERS

Model	FAM156R1A	FAM186R2A	FAM18ER2A
Series	Frigoaire	Frigoaire	Frigoaire
ENERGY STAR*			
Performance			
BTU (Cool)	15,100	18,500/18,200	18,500/18,200
BTU (Heat)			16,000/13,000
Dehumidification (Pints/Hour)	3.8	5.5	5.5
Cool Area (Sq. Ft.)	900	1,170	1,170
EER	10.7	10.7	9.7
Electrical			
Volts	115	230/208	230/208
Amps (Cool)	12.0	7.9/8.6	8.4/9.2
Amps (Heat)			22.2/20.0
Watts (Cool)	1,410	1,730/1,700	1,900/1,880
Watts (Heat)			4,900/4,000
Length of Power Cord	4'	4'	4'
Plug Type (NEMA)*	LCDI (A)	LCDI (B)	LCDI (D)
Features			
Controls	Electronic	Electronic	Electronic
Fan Speeds (Cool/Fan/Heat)	3/3/-	3/3/-	3/3/3
Low Voltage Start-Up	•	•	•
Auto Cool Function	•	•	•
Energy Save	•	•	•
Sleep Mode	•	•	•
Filter Check	•	•	•
24 Hour On/Off Timer	•	•	•
Remote Control	Full-Function & Remote T'Stat	Full-Function & Remote T'Stat	Full-Function with Heat
Air CFM (High/Med/Low)	425/400/375	450/400/350	430/390/350
Air Direction Control	Multi-Directional	Multi-Directional	Multi-Directional
Fresh Air/Exhaust Vent/Closed	Yes/Yes/Yes	Yes/Yes/Yes	Yes/Yes/Yes
Filter Type	Clean Air Ionizer	Clean Air Ionizer	Antimicrobial Mesh
Filter Access	Tilt-Out	Tilt-Out	Tilt-Out
Slide-Out Chassis	•	•	•
Cabinet Louvers	•	•	•
Rear Grill	•	•	•
Window Mounting Kit	Pleated Quick Mount	Pleated Quick Mount	Pleated Quick Mount Kit
Dimensions			
A- Cabinet Height	17-3/4"	17-3/4"	17-3/4"
B- Cabinet Width	23-5/8"	23-5/8"	23-5/8"
C- Cabinet Depth (with Front)	24" (25-3/8")	24" (25-3/8")	24" (25-3/8")
D- Window Height (Min.)	18-1/2"	18-1/2"	18-1/2"
E- Window Width (Min./Max.)	26-1/2"/40-1/2"	26-1/2"/40-1/2"	26-1/2"/40-1/2"
F- Max. Wall Thickness	8"	8"	8"
Carton Height	19-3/4"	19-3/4"	19-3/4"
Carton Width	26-1/16"	26-1/16"	26-1/16"
Carton Depth	30-1/4"	30-1/4"	30-1/4"
Unit Weight	111 Lbs.	122 Lbs.	123 Lbs.
Shipping Weight	131 Lbs.	142 Lbs.	143 Lbs.
UPC (0-12505)	27182-3	27185-4	27184-7

* Plug Type (NEMA)



(A)
5-15P



(B)
6-15P



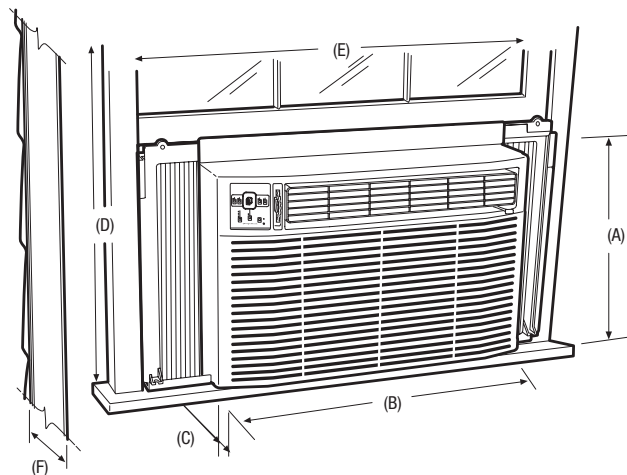
(D)
6-30P



INSTALLATION

The following dimension and cutout information is for planning purposes only. For complete installation details consult manual packed with product, or download manual at Customer Service, online at frigidaire.com.

Median Models



HEAVY-DUTY AIR CONDITIONERS

Model	FAS226R2A	FAS256R2A	FAS25ER2A	FAS296R2A
Series	Frigidaire	Frigidaire	Frigidaire	Frigidaire
ENERGY STAR*				
Performance				
BTU (Cool)	22,000/21,600	25,000/24,700	25,000/24,700	28,500/28,000
BTU (Heat)			16,000/13,000	
Dehumidification (Pints/Hour)	7.2	8.0	8.0	9.5
Cool Area (Sq. Ft.)	1,435	1,672	1,672	1,960
EER	9.4	9.4	9.4	8.5
Electrical				
Volts	230/208	230/208	230/208	230/208
Amps (Cool)	10.8/11.3	12.0/13.0	12.0/13.0	15.5/16.6
Amps (Heat)			22.5/20.0	
Watts (Cool)	2,340/2,300	2,660/2,630	2,660/2,630	3,365/3,300
Watts (Heat)			4,900/4,000	
Length of Power Cord	4'	4'	4'	4'
Plug Type (NEMA)*	LCDI (B)	LCDI (C)	LCDI (D)	LCDI (D)
Features				
Controls	Electronic	Electronic	Electronic	Electronic
Fan Speeds (Cool/Fan/Heat)	3/3/-	3/3/-	3/3/3	3/3/-
Low Voltage Start-Up	•	•	•	•
Auto Cool Function	•	•	•	•
Energy Save	•	•	•	•
Sleep Mode	•	•	•	•
Filter Check	•	•	•	•
24 Hour On/Off Timer	•	•	•	•
Remote Control	Full Function & Remote T'Stat	Full-Function & Remote T'Stat	Full-Function with Heat	Full-Function & Remote T'Stat
Air CFM (High/Med/Low)	500/425/350	492/421/350	492/421/350	500/437/375
Air Direction Control	Multi-Directional	Multi-Directional	Multi-Directional	Multi-Directional
Fresh Air/Exhaust Vent/Closed	Yes/Yes/Yes	Yes/Yes/Yes	Yes/Yes/Yes	Yes/Yes/Yes
Filter Type	Clean Air Ionizer	Clean Air Ionizer	Antimicrobial Mesh	Clean Air Ionizer
Filter Access	Tilt-Out	Tilt-Out	Tilt-Out	Tilt-Out
Slide-Out Chassis	•	•	•	•
Cabinet Louvers	•	•	•	•
Rear Grill	•	•	•	•
Window Mounting Kit	Pleated Quick Mount	Pleated Quick Mount	Pleated Quick Mount	Pleated Quick Mount
Dimensions				
A-Cabinet Height	18-5/8"	18-5/8"	18-5/8"	18-5/8"
B-Cabinet Width	26-1/2"	26-1/2"	26-1/2"	26-1/2"
C-Cabinet Depth (with Front)	25" (26-1/2")	25" (26-1/2")	25" (26-1/2")	25" (26-1/2")
D-Window Height (Min.)	19"	19"	19"	19"
E-Window Width (Min./Max.)	31"/42"	31"/42"	31"/42"	31"/42"
F-Max. Wall Thickness	10"	10"	10"	10"
Carton Height	20-1/4"	20-1/4"	21-1/4"	21-1/4"
Carton Width	29-1/2"	29-1/2"	29-1/2"	29-1/2"
Carton Depth	31-1/4"	31-1/4"	31-1/4"	31-1/4"
Unit Weight	136 Lbs.	142 Lbs.	145 Lbs.	161 Lbs.
Shipping Weight	151 Lbs.	162 Lbs.	165 Lbs.	181 Lbs.
UPC (0-12505)	27187-8	27188-5	27190-8	27191-5

* Plug Type (NEMA)



(B)
6-15P



(C)
6-20P



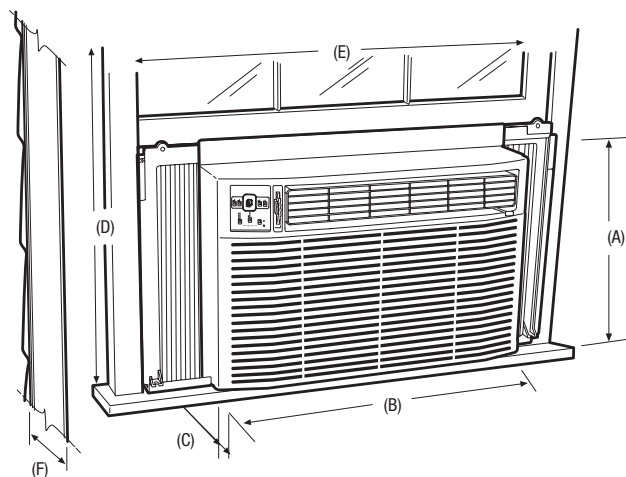
(D)
6-30P



INSTALLATION

The following dimension and cutout information is for planning purposes only. For complete installation details consult manual packed with product, or download manual at Customer Service, online at frigidaire.com.

Heavy-Duty Models



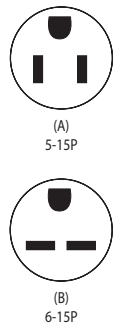
THROUGH-THE-WALL AIR CONDITIONERS

Model	FAH086S1T	FAH08ES1T	FAH08ER1T	FAH106S1T	FAH106S2T	FAH10ES2T	FAH10ER2T	FAH126S2T	FAH126R2T	FAH12ES2T
Series	ENERGY STAR®	ENERGY STAR®	ENERGY STAR®	ENERGY STAR®	ENERGY STAR®	ENERGY STAR®	ENERGY STAR®	ENERGY STAR®	ENERGY STAR®	ENERGY STAR®
Manufacturer	Frigidaire	Frigidaire	Frigidaire	Frigidaire	Frigidaire	Frigidaire	Frigidaire	Frigidaire	Frigidaire	Frigidaire
Performance										
BTU (Cool)	8,000	8,000	8,000	10,000	10,000/9,800	10,000/9,800	10,000/9,800	12,000/11,700	12,000/11,700	12,000/11,700
BTU (Heat)		4,200	4,200			10,000/8,600	10,000/8,600			10,000/8,600
Dehumidification (Pints/Hour)	1.8	1.8	1.8	2.6	2.8	2.8	2.8	3.5	3.5	3.5
Cool Area (Sq. Ft.)	350	350	350	500	500	500	500	640	640	640
EER	9.4	9.4	9.4	9.4	9.4	9.4	9.4	9.0	9.0	9.0
Electrical										
Volts	115	115	115	115	230/208	230/208	230/208	230/208	230/208	230/208
Amps (Cool)	7.4	7.4	7.6	9.9	4.9/5.3	4.9/5.3	4.8/5.1	5.9/6.6	6.0/6.7	5.9/6.6
Amps (Heat)		11.5	12.3			15.3/14.2	15.3/14.0			15.6/14.3
Watts (Cool)	850	850	850	1,065	1,060/1,045	1,065/1,045	1,065/1,045	1,335/1,300	1,335/1,300	1,335/1,300
Watts (Heat)		1,250	1,250			3,450/2,800	3,450/2,800			3,450/2,800
Length of Power Cord	5.9'	5.9'	4.4'	5.9'	5.9'	5.9'	4.4'	5.9'	4.4'	5.9'
Plug Type (NEMA)*	LCDI (A)	LCDI (A)	LCDI (A)	LCDI (A)	LCDI (B)	LCDI (B)	LCDI (B)	LCDI (B)	LCDI (B)	LCDI (B)
Features										
Controls	Electronic	Electronic	Electronic	Electronic	Electronic	Electronic	Electronic	Electronic	Electronic	Electronic
Fan Speeds (Cool/Fan/Heat)	3/3/-	3/3/3	3/3/3	3/3/-	3/3/-	3/3/3	3/3/3	3/3/-	3/3/-	3/3/3
Low Voltage Start-Up	•	•	•	•	•	•	•	•	•	•
Auto Cool Function	•	•	•	•	•	•	•	•	•	•
Energy Save	•	•	•	•	•	•	•	•	•	•
Sleep Mode	•	•	•	•	•	•	•	•	•	•
Filter Check	•	•	•	•	•	•	•	•	•	•
24 Hour On/Off Timer	•	•	•	•	•	•	•	•	•	•
Remote Control	Full-Function Remote T'Stat	Full-Function with Heat	Full-Function	Full-Function Remote T'Stat	Full-Function Remote T'Stat	Full-Function with Heat	Full-Function with Heat	Full-Function Remote T'Stat	Full-Function Remote T'Stat	Full-Function with Heat
Air CFM (High/Med/Low)	250/230/205	250/230/205	250/230/205	258/224/185	252/221/185	252/221/185	252/221/185	264/230/195	264/230/195	264/230/195
Air Direction Control	4-Way	4-Way	4-Way	4-Way	4-Way	4-Way	4-Way	4-Way	4-Way	4-Way
Fresh Air/Exhaust Vent/Closed	No/No/Yes	No/No/Yes	No/No/Yes	No/No/Yes	No/No/Yes	No/No/Yes	No/No/Yes	No/No/Yes	No/No/Yes	No/No/Yes
Filter Type	Antimicrobial Mesh	Antimicrobial Mesh	Antimicrobial Mesh	Antimicrobial Mesh	Antimicrobial Mesh	Antimicrobial Mesh	Antimicrobial Mesh	Antimicrobial Mesh	Antimicrobial Mesh	Antimicrobial Mesh
Filter Access	Slide-Out	Slide-Out	Slide-Out	Slide-Out	Slide-Out	Slide-Out	Slide-Out	Slide-Out	Slide-Out	Slide-Out
Slide-Out Chassis										
Cabinet Louvers										
Rear Grille	•	•	•	•	•	•	•	•	•	•
Window Mounting Kit	Universal Trim Kit	Universal Trim Kit	Universal Trim Kit	Universal Trim Kit	Universal Trim Kit	Universal Trim Kit	Universal Trim Kit	Universal Trim Kit	Universal Trim Kit	Universal Trim Kit
Dimensions										
A- Cabinet Height	14-1/2"	14-1/2"	14-1/2"	14-1/2"	14-1/2"	14-1/2"	14-1/2"	14-1/2"	14-1/2"	14-1/2"
B- Cabinet Width	24"	24"	24"	24"	24"	24"	24"	24"	24"	24"
C- Cabinet Depth (with Front)	19" (20-1/2")	19" (20-1/2")	19" (20-1/2")	19" (20-1/2")	19" (20-1/2")	19" (20-1/2")	19" (20-1/2")	19" (20-1/2")	19" (20-1/2")	19" (20-1/2")
D- Max. Wall Thickness	18"	18"	18"	18"	18"	18"	18"	18"	18"	18"
Carton Height	17"	17"	17"	17"	17"	17"	17"	17"	17"	17"
Carton Width	27"	27"	27"	27"	27"	27"	27"	27"	27"	27"
Carton Depth	28"	28"	28"	28"	28"	28"	28"	28"	28"	28"
Unit Weight	69 Lbs.	75 Lbs.	76 Lbs.	76 Lbs.	78 Lbs.	84 Lbs.	87 Lbs.	80 Lbs.	86 Lbs.	87 Lbs.
Shipping Weight	79 Lbs.	85 Lbs.	101 Lbs.	86 Lbs.	88 Lbs.	94 Lbs.	108 Lbs.	90 Lbs.	108 Lbs.	97 Lbs.
UPC (0-12505)	27305-6	27310-0	27198-4	27306-3	27307-0	27311-7	27199-1	27308-7	27196-0	27312-4

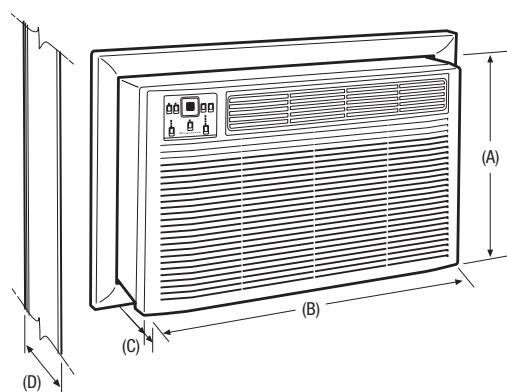
INSTALLATION

The following dimension and cutout information is for planning purposes only. For complete installation details consult manual packed with product, or download manual at Customer Service, online at frigidaire.com.

* Plug Type (NEMA)



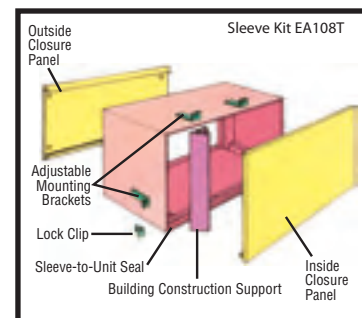
Through-The-Wall Models



THROUGH-THE-WALL BUILDER SLEEVE



Model	EA108T
Dimensions	
Cabinet Height	15-1/4"
Cabinet Width	25-1/2"
Cabinet Depth	17-1/2"
Carton Height	17-1/8"
Carton Width	27-1/6"
Carton Depth	18-8/9"
Unit Weight	25 Lbs.
Shipping Weight	30 Lbs.



THROUGH-THE-WALL AIR CONDITIONERS

Model	FAH12ER2T	FAH146S2T	FAH146R2T	FAH14ER2T
Series	Frigidaire	Frigidaire	Frigidaire	Frigidaire
ENERGY STAR*				
Performance				
BTU (Cool)	12,000/11,700	14,000/13,600	14,000/13,600	14,000/13,600
BTU (Heat)	10,000/8,600			10,600/8,600
Dehumidification (Pints/Hour)	3.5	4.3	4.3	4.3
Cool Area (Sq. Ft.)	640	640	640	640
EER	9.0	9.0	9.0	9.0
Electrical				
Volts	230/208	230/208	230/208	230/208
Amps (Cool)	6.0/6.5	7.0/7.9	8.1/8.7	8.1/8.7
Amps (Heat)	16.0/14.5			15.2/13.8
Watts (Cool)	1,335/1,300	1,550/1,520	1,550/1,520	1,550/1,520
Watts (Heat)	3,450/2,800			3,450/2,800
Length of Power Cord	4.4'	5.9'	5.9'	5.9'
Plug Type (NEMA)*	LCDI (B)	LCDI (B)	LCDI (B)	LCDI (B)
Features				
Controls	Electronic	Electronic	Electronic	Electronic
Fan Speeds (Cool/Fan/Heat)	3/3/3	3/3/-	3/3/-	3/3/3
Low Voltage Start-Up	•	•	•	•
Auto Cool Function	•	•	•	•
Energy Save	•	•	•	•
Sleep Mode	•	•	•	•
Filter Check	•	•	•	•
24 Hour On/Off Timer	•	•	•	•
Remote Control	Full-Function with Heat	Full-Function & Remote T'Stat	Full-Function & Remote T'Stat	Full-Function with Heat
Air CFM (High/Med/Low)	264/230/195	312/255/195	312/255/195	312/255/195
Air Direction Control	4-Way	4-Way	4-Way	4-Way
Fresh Air/Exhaust Vent/Closed	No/No/Yes	No/No/Yes	No/No/Yes	No/No/Yes
Filter Type	Antimicrobial Mesh	Antimicrobial Mesh	Antimicrobial Mesh	Antimicrobial Mesh
Filter Access	Slide-Out	Slide-Out	Slide-Out	Slide-Out
Slide-Out Chassis				
Cabinet Louvers				
Rear Grille	•	•	•	•
Window Mounting Kit	Universal Trim Kit	Universal Trim Kit	Universal Trim Kit	Universal Trim Kit
Dimensions				
A-Cabinet Height	14-1/2"	14-1/2"	14-1/2"	14-1/2"
B-Cabinet Width	24"	24"	24"	24"
C-Cabinet Depth (with Front)	19"	19"	22"	22"
	(20-1/2")	(20-1/2")	(23-1/2")**	(23-1/2")**
D-Max. Wall Thickness	18"	18"	18"	18"
Carton Height	17"	17"	17-5/8"	17-3/4"
Carton Width	27"	27"	26-3/4"	26-3/4"
Carton Depth	28"	28"	28-1/2"	28-1/2"
Unit Weight	91 Lbs.	92 Lbs.	109 Lbs.	109 Lbs.
Shipping Weight	112 Lbs.	102 Lbs.	124 Lbs.	124 Lbs.
UPC (0-12505)	27200-4	27309-4	27197-7	27201-1

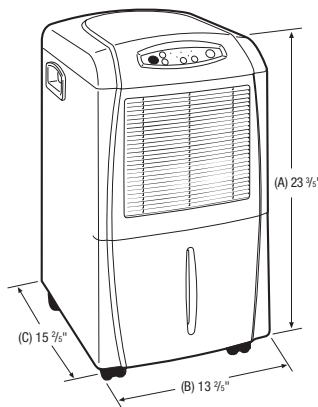
**Protrudes 3" more from the wall than other models.

DEHUMIDIFIERS

Model	FDR30S1	FD50S1	FD70S1
Series	Frigidaire	Frigidaire	Frigidaire
ENERGY STAR*			
Performance			
Dehumidification (Pints/Day)	30	50	70
Dehumidification (Litres/Day)	14.2	23.7	33.1
EEV (L/KW/H)	1.4	1.6	1.6
Electrical			
Volts	115	115	115
Amps (Cool)	3.5	5.1	6.5
Watts (Cool)	390	590	750
Length of Power Cord	6'	6'	6'
Plug Type (NEMA)*	LCDI (A)	LCDI (A)	LCDI (A)
Features			
Controls	Mechanical	Electronic	Electronic
Fan Speeds	1	2	2
Low Temperature Operation	•	•	•
Air CFM (High/Low)	102/85	128/99	175/146
Filter Type	Antimicrobial Mesh	Antimicrobial Mesh	Antimicrobial Mesh
Filter Access	Bottom Slide-Out	Bottom Slide-Out	Bottom Slide-Out
Container Capacity (Pints)	17	17	17
Dimensions			
A-Cabinet Height	23-3/5"	23-3/5"	23-3/5"
B-Cabinet Width	15-2/5"	15-2/5"	15-2/5"
C-Cabinet Depth Only	13-2/5"	13-2/5"	13-2/5"
Carton Height	25"	25"	25"
Carton Width	17"	17"	17"
Carton Depth	15"	15"	15"
Unit Weight	39 Lbs.	41 Lbs.	48 Lbs.
Shipping Weight	44 Lbs.	46 Lbs.	53 Lbs.
UPC (0-12505)	27320-9	27322-3	27324-7



Dehumidifier Models



INSTALLATION

The following dimension and cutout information is for planning purposes only. For complete installation details consult manual packed with product, or download manual at Customer Service, online at frigidaire.com.

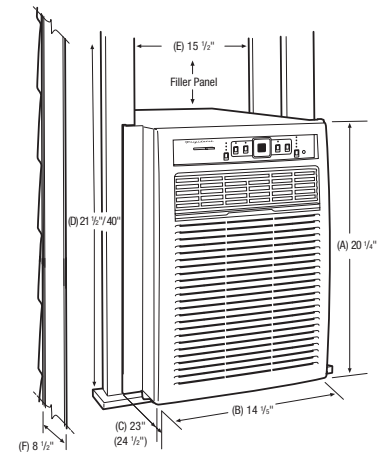


Slider/Casement Models

* Plug Type (NEMA)



(A) 5-15P



Frigidaire

FULL ONE-YEAR WARRANTY

Every Electrolux Major Appliances room air conditioner is guaranteed to be free of materials defects or component malfunctions. Electrolux Major Appliances will repair, without charge, any problem that occurs during the first year after original date of purchase.*

LIMITED 2ND - 5TH YEAR WARRANTY

Sealed Refrigeration System

Electrolux Major Appliances will provide a replacement for any defective part(s) in the Sealed Refrigeration System (compressor, condenser, evaporator and tubing) that breaks due to defects in materials or workmanship (not consumer abuse), for the second through fifth years from original date of purchase.* Diagnostic, transportation and labor costs which are required because of service are the responsibility of the consumer.

**Some restrictions may apply for Alaska.*

This warranty is provided by Electrolux Major Appliances North America, a division of Electrolux Home Products Inc. in the U.S.A., and in Canada by Electrolux Canada Corp.

For complete warranty details, please refer to your Owner's Manual.

High standards of quality at Electrolux Major Appliances mean we are constantly working to improve our products. We reserve the right to change specifications or discontinue models without notice.

PARTS AND SERVICE

Wherever you live or move in the U.S.A., our national network of authorized independent service companies provide prompt, professional repair service. To maintain warranties, always ask for Electrolux Major Appliances Genuine Renewal Parts.



USA

Electrolux Major Appliances, North America

250 Bobby Jones Expressway
Martinez, GA 30907
1-800-FRIGIDAIRE
frigidaire.com

CANADA

Electrolux Canada Corporation

5855 Terry Fox Way
Mississauga, ON L5V 3E4
1-800-265-8352



Every Frigidaire® appliance is backed by the global strength of the Electrolux Group, the world's largest manufacturer of kitchen and cleaning appliances.