

SINGLE, DOUBLE, & COMBINATION OVENS

FEATURES & SPECIFICATIONS

Model No.	Single Ovens			Double Ovens			Combination Ovens	
	Whirlpool®		Whirlpool Gold®	Whirlpool®		Whirlpool Gold®	Whirlpool®	Whirlpool Gold®
30" Width Model	RBS305PV	RBS307PV	GBS309PV	RBD305PV	RBD307PV	GBD309PV	RMC305PV	GSC309PV
27" Width Model	RBS275PV	RBS277PV	GBS279PV	RBD275PV	RBD277PV	GBD279PV	RMC275PV	—
24" Width Model	RBS245PR**	—	—	RBD245PR**	—	—	—	—
Features (Upper)							Microwave	SpeedCook
Capacity (cu. ft.)				4.1/3.6/3.1	4.1/3.6	4.1/3.6	1.4	1.4
Watts							900	900
SpeedCook Oven, Sizzle Pan With Handle And Quartz Element				—	—	—	—	Yes
Full & Center Broil				—	—	Yes	—	—
Hidden Bake				—	—	Yes	—	—
Convection Cooking System				—	TimeSavor™	TimeSavor™ Plus	—	TimeSavor™ Plus
Convection Conversion				—	—	Yes	—	—
Self-Cleaning				Yes	Yes	Yes	—	—
Features (Lower/Single)								
Capacity (cu. ft.)	4.1/3.6/3.1	4.1/3.6	4.1/3.6	4.1/3.6/3.1	4.1/3.6	4.1/3.6	4.1/3.6	4.1
Full & Center Broil	—	—	Yes	—	—	Yes	—	Yes
Hidden Bake	—	—	Yes	—	—	Yes	—	Yes
Convection Cooking System	—	TimeSavor™	TimeSavor™ Plus	—	—	—	—	TimeSavor™ Plus
Convection Conversion	—	—	Yes	—	—	—	—	Yes
Self-Cleaning	Yes	Yes	Yes	—	Yes	Yes	Yes	Yes
General Oven Features								
AccuBake® Temperature Management System	Yes	Yes	Yes	Yes	Yes	Yes	Lower	Lower
Delay Bake	Yes	Yes	Yes	Yes	Yes	Yes	Lower	Lower
Sabbath Mode	—	—	Yes	—	—	Yes	—	Yes
Closed Door Broiling	Yes	Yes	Yes	Yes	Yes	Yes	Lower	Lower
Preheat Countdown with Timer	Timer	Timer	Temperature	Timer	Timer	Temperature	Timer	Temperature
Mylar Controls	Yes	Yes	Yes	Yes	Yes	Yes	Yes	Yes
Control Lockout	Yes	Yes	Yes	Yes	Yes	Yes	Yes	Yes
Illuminated Display (Bi-Color)	Yes	Yes	Yes	Yes	Yes	Yes	Yes	Yes
Oven Light(s)	Incandescent	Incandescent	Halogen	Incandescent	Incandescent	Halogen	Incandescent	Halogen
Flush-to-Cabinet Design	Yes	Yes	Yes	Yes	Yes	Yes	Yes	Yes
Approved for Under-the-Counter Installation	Yes	Yes	Yes	—	—	—	—	—
Bake Element Watts @ 240/208 Volts	2000W/1500W	2000W/1500W	2000W/1500W	2000W/1500W	2000W/1500W	2000W/1500W	2000W/1500W	2000W/1500W
Broil Element Watts @ 240/208 Volts	3000W/2250W	3000W/2250W	3000W/2250W	3000W/2250W	3000W/2250W	3000W/2250W	3000W/2250W	3000W/2250W
Oven Cavity Size (in.) 30 inch oven	16 H x 25 W x 17 3/4	16 H x 25 W x 17 3/4	16 H x 25 W x 17 3/4	16 H x 25 W x 17 3/4	16 H x 25 W x 17 3/4	16 H x 25 W x 17 3/4	16 H x 25 W x 17 3/4	16 H x 25 W x 17 3/4
Total Connected Load (kwh) @ 240 Volts @ 208 Volts	5 Kw 3.8 Kw	5 Kw 3.8 Kw	4.7 Kw 3.5 Kw	8 Kw 6 Kw	8 Kw 6 Kw	7.7 Kw 5.8 Kw	7 Kw 5.8 Kw	9.2 Kw 8 Kw
Circuit (amps)	30 Amp.	30 Amp.	30 Amp.	40 Amp.	40 Amp.	40 Amp.	40 Amp.	40 Amp.
Approx. Shipping Weight (lbs.)	139/134/126	139/134	139/134	238/230/222	238/230	238/230	227/221	227/221
Metal Handle	All Colors	All Colors	All Colors	All Colors	All Colors	All Colors	All Colors	All Colors
Colors*	Q/B/T/S	Q, B, S	Q, B, S	Q, B, T, S	Q, B, S	Q, B, S	Q, B, T, S	Q, B, S

* Q – White, T – Biscuit, B – Black and S – Stainless Steel

** Maintains current oven styling. Plastic handle on all colors.

SINGLE, DOUBLE, & COMBINATION OVEN DIMENSIONS

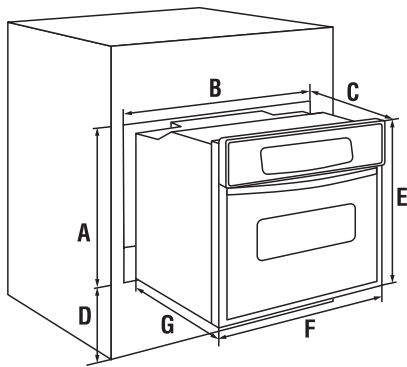
Oven Size/Type	Cutout Dimensions				Product Dimensions			
	Height A	Width B	Depth C	Bottom of Cutout to Floor D	Overall Height E	Overall Width F	Overall Depth* G	Distance Between Oven/Microwave H
24" Single	27 ¾	22 ½	23 ¼	32	29	23 ¾	25 ¾	3 min.
24" Single Undercounter	27 ¾	22 ½	23 ¼	5 ¼/4 ⅝**	29	23 ¾	25 ¾	—
27" Single	27 ¾	25 ½	23 ¼	32	29	26 ¾	25 ¾	3 min.
27" Single Undercounter	27 ¾	25 ½	23 ¼	5 ¼/4 ⅝**	29	26 ¾	25 ¾	—
30" Single	27 ¾	28 ½	23 ¼	32	29	29 ¾	25 ¾	3 min.
30" Single Undercounter	27 ¾	28 ½	23 ¼	5 ¼/4 ⅝**	29	29 ¾	25 ¾	—
24" Double	49 ¾	22 ½	23 ¼	14 ¾	51	23 ¾	25 ¾	—
27" Double	49 ¾	25 ½	23 ¼	14 ¾	51	26 ¾	25 ¾	—
30" Double	49 ¾	28 ½	23 ¼	14 ¾	51	29 ¾	25 ¾	—
27" Combo	41 ¼	25 ½	23 ¼	19 ¼	42 ⅞	26 ¾	25 ¾	—
30" Combo	41 ¼	28 ½	23 ¼	19 ¼	42 ⅞	29 ¾	25 ¾	—

* Including handle.

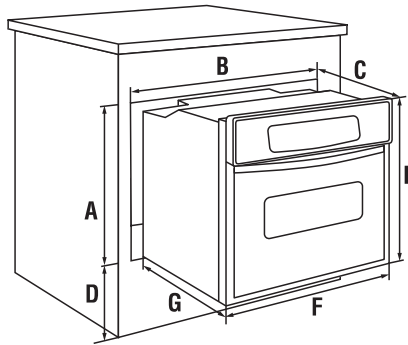
** Without cooktop/with cooktop.

All dimensions are shown in inches.

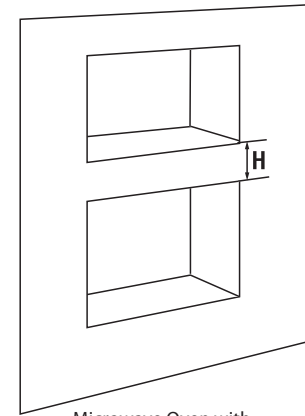
NOTE: Top of cutout to cabinet door equals 1 inch. Bottom of cutout to cabinet door equals 1 ½ inches.



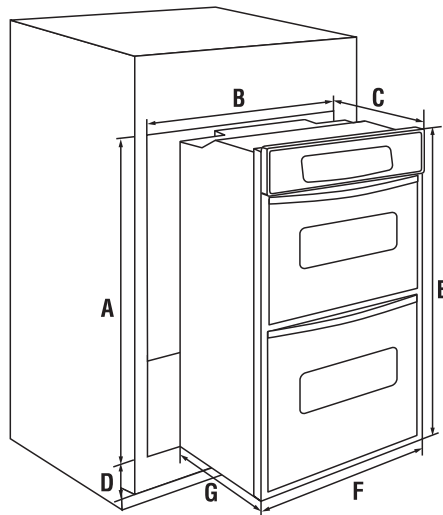
Single Wall Oven



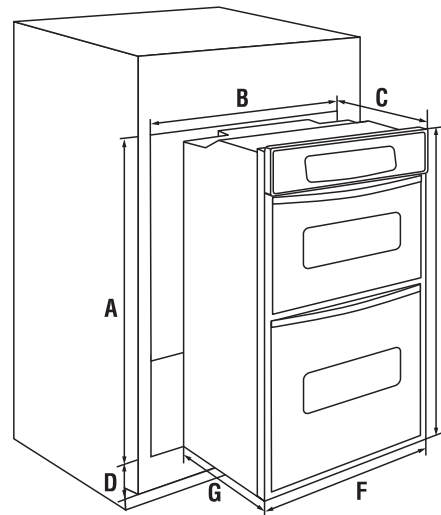
Single Undercounter Oven



Microwave Oven with Single Oven Below



Double Oven



Combination Oven

OVEN FILLER KIT

Filler kits are available for customers purchasing a new Whirlpool® single, double, or combination oven to replace an existing Whirlpool® oven. Not all ovens require a filler kit. If a configuration is not listed, it does not require a kit.

	30" Single	30" Double	27" Combination	30" Combination
White	4378942	4378948	4378951	4378945
Biscuit	8171648	8171649	8171647	8171650
Black	4378941	4378947	4378950	4378944