

THIN TWIN® WASHER FEATURES & SPECIFICATIONS

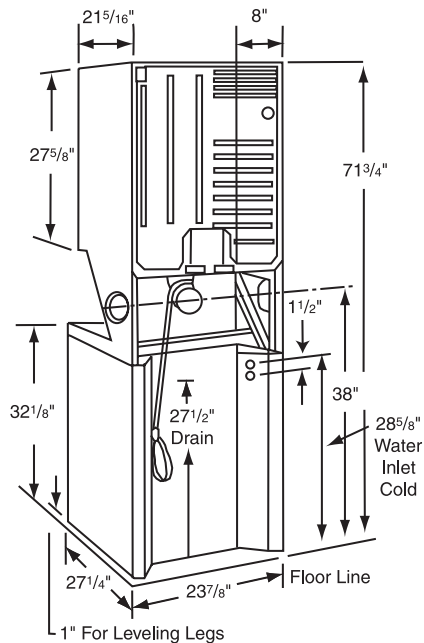
THIN TWIN® WASHER

Model No.	24" WET3100S 24" WGT3100S	27" WET3300S 27" WGT3300S
Wash System		
Capacity (cu. ft.)	1.5	2.6
Wash & Spin Speeds	4	3
Gentle Wash System	Yes	Yes
Agitator	Surgilator®	Double Duty
Lint Filter	Yes	Yes
Washer Controls		
Automatic Cycles	7	8
Super Wash	Yes	Yes
Regular/Heavy	Yes	Yes
Permanent Press	Yes	Yes
Delicate	Yes	Yes
Soak	—	Yes
Prewash	Yes	Yes
Wash/Rinse Temperatures	4	4
Water Levels	3	4
Convenience		
Fabric Softener Dispenser	—	Pt. #3350834**
Wash Basket	Spreckle	White Porcelain
ToughTop II™ Top & Lid	Yes	Yes
General Information		
Direct Drive Motor (hp)	½	½
Transition Panel	Yes	Yes
Self-Leveling Rear Legs	Yes	Yes
Tripod 3-Point Suspension	Yes	Yes
Polypropylene Tub	Yes	Yes
Corrugated Drain Hose	Yes	Yes
Rip Cord Suspension	Yes	Yes
Front Serviceability	Yes	Yes
Color Availability*	Q	Q

* Q - White

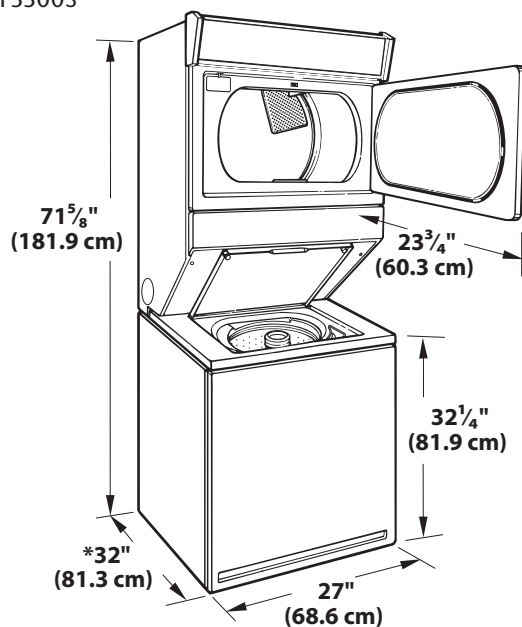
** To order replacement parts, please call 1-800-253-1301 or visit www.whirlpool.com

Model WET3100S
Model WGT3100S



THIN TWIN® MODEL DIMENSIONS

Model WET3300S
Model WGT3300S



* Most installations require a minimum 5" (12.7 cm) clearance behind the dryer for the exhaust vent with elbow. See "Venting Requirements."

Dimensions are for planning purposes only. For complete details, see Installation Instructions packed with product. Specifications subject to change without notice.

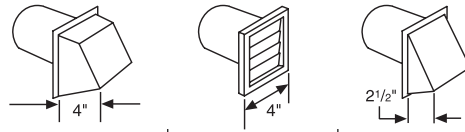
THIN TWIN® DRYER FEATURES & SPECIFICATIONS

THIN TWIN® DRYER

Model No.	24" WET3100S	24" WGT3100S	27" WET3300S	27" WGT3300S
Drying System				
Drum Volume (cu. ft.)	3.4	3.4	5.9	5.9
Dry-Miser™ Control	Automatic	Automatic	Automatic	Automatic
Gentle Heat System	Yes	Yes	Yes	Yes
Lint Screen	Yes	Yes	Front Mounted	Front Mounted
Dryer Controls				
Temperature Settings	3	3	3	3
Automatic Cycles	5	5	6	6
Auto Regular	Yes	Yes	—	—
Auto Perm. Press/Heavy (high heat)	—	—	Yes	Yes
Auto Permanent Press	Yes	Yes	—	—
Auto Delicate (low heat)	—	—	Yes	Yes
Timed Drying	Yes	Yes	Yes	Yes
Tumble Press®	Yes	Yes	Yes	Yes
Damp Dry	—	—	Yes	Yes
Fluff Air	Yes	Yes	Yes	Yes
Push-to-Start Button	Yes	Yes	Yes	Yes
End-of-Cycle Signal	Yes	Yes	On/Off	On/Off
General Information				
4-Way Venting	Yes	Yes	Yes	Yes
Electrical Requirements	240V/208V	120V	240V/208V	120V
Electric Heating Element (watts)	3600	—	4600/3460	—
Gas Burner (BTU)	—	10,500	—	16,000
180° Side-Swing Door	Yes	Yes	Yes	Yes
Baked Acrylic Enamel Cabinet Finish	Yes	Yes	Yes	Yes
DuraWhite™ Drum Finish	Yes	Yes	Yes	Yes
Variator Baffles	Yes	Yes	Yes	Yes
Approx. Shipping Weight (lbs.)	276	280	310	340
Color Availability*	Q	Q	Q	Q

* Q – White

24" THIN TWIN® MODELS



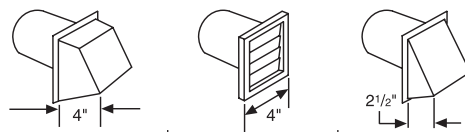
# of 90° Turns	4" Hood	4" Hood	2 1/2" Hood
0	43 ft.	41 ft.	36 ft.
1	33 ft.	31 ft.	26 ft.
2	23 ft.	21 ft.	16 ft.
3	18 ft.	18 ft.	No

Maximum Length of 4" Diameter Rigid Metal Duct

# of 90° Turns	4" Hood	4" Hood	2 1/2" Hood
0	30 ft.	29 ft.	24 ft.
1	24 ft.	23 ft.	18 ft.
2	16 ft.	15 ft.	10 ft.

Recommended
Maximum Length of 4" Diameter Flexible Metal Duct

27" THIN TWIN® MODELS

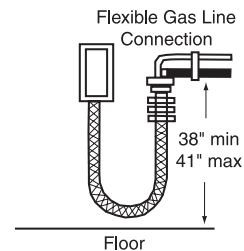


# of 90° Turns	4" Hood	4" Hood	2 1/2" Hood
0	37 ft.	37 ft.	35 ft.
1	32 ft.	32 ft.	27 ft.
2	24 ft.	24 ft.	19 ft.

Maximum Length of 4" Diameter Rigid Metal Duct

# of 90° Turns	4" Hood	4" Hood	2 1/2" Hood
0	25 ft.	25 ft.	20 ft.
1	21 ft.	21 ft.	16 ft.
2	15 ft.	15 ft.	10 ft.

Maximum Length of 4" Diameter Flexible Metal Duct



EXHAUST INFORMATION

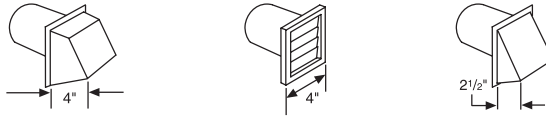
Service Check: The back pressure in any exhaust system used must not exceed 0.6 inches of water column measured with an incline manometer at the point that the exhaust duct connects to the dryer.

DRYER VENTING REQUIREMENTS

EXHAUST INFORMATION

All dryers require the equivalent of a 4 inch diameter exhaust duct. Rigid metal duct is recommended. Failure to properly exhaust the dryer will result in improper operation.

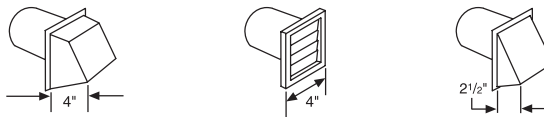
27" & 29" DRYER VENTING REQUIREMENTS



# of 90° Turns	4" Hood	4" Hood	2 1/2" Hood
Maximum Length of 4" Diameter Rigid Metal Duct			
0	64 ft.	64 ft.	58 ft.
1	54 ft.	54 ft.	48 ft.
2	44 ft.	44 ft.	38 ft.
3	35 ft.	35 ft.	29 ft.
4	27 ft.	27 ft.	21 ft.
Maximum Length of 4" Diameter Flexible Metal Duct			
0	36 ft.	36 ft.	28 ft.
1	31 ft.	31 ft.	23 ft.
2	27 ft.	27 ft.	19 ft.
3	25 ft.	25 ft.	17 ft.
4	23 ft.	23 ft.	15 ft.

LONG-VENT DRYER VENTING REQUIREMENTS

The same length of vent can be used with any of the three exhaust hoods shown.



# of 90° Turns	4" Hood	4" Hood	2 1/2" Hood
Maximum Length of 4" Diameter Flexible Metal Duct			
0	120 ft.	120 ft.	120 ft.
1	119 ft.	119 ft.	110 ft.
2	100 ft.	100 ft.	100 ft.
3	90 ft.	90 ft.	90 ft.
4	80 ft.	80 ft.	80 ft.
5	70 ft.	70 ft.	70 ft.

Exhaust vent charts list lengths by type of vent to be used. Use the chart that matches your vent type.

COMPACT DRYER VENTING REQUIREMENTS



# of 90° Turns	4" Hood	4" Hood	2 1/2" Hood
Maximum Length of 4" Diameter Flexible Metal Duct			
0	43 ft.	41 ft.	36 ft.
1	33 ft.	31 ft.	26 ft.
2	23 ft.	21 ft.	16 ft.
3	30 ft.	29 ft.	24 ft.
4	24 ft.	23 ft.	18 ft.
5	16 ft.	15 ft.	10 ft.

DRYER VENTING REQUIREMENTS

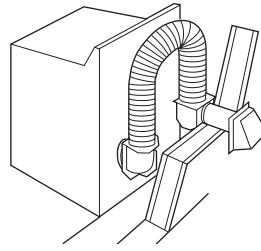
SURE CONNECT™ VENT KIT

Part No. 4396028

- Provides 4 1/2" clearance between dryer and wall
- Snap-lock fittings
- Total kit length: 8 feet
- Additional vent can be snapped between sections for longer runs

Kit Contains:

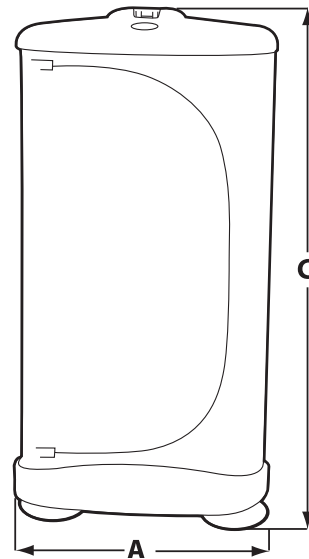
- 2-4' vent sections with attached close elbows
- 1-Wall plate for close clearance installations
- 2-4" clamps



LP Gas Conversion Kits	Part No.
24" Thin Twin® Dryer and Compacts (10,500 BTU)	49573
27" Thin Twin® Dryer (16,000 BTU)	3392235
Full-Size Gas Dryers (22,000 BTU)	49572
Front-Load Dryer	8576846A
Optional Dryer Rack	
Extra Large Capacity (Large Side-Swing Only Door)	689790
Super Capacity 6.5 cu. ft. (Side-Swing or Hamper Door)	3404351
Super Capacity 7.0 cu. ft.	3406839
Duet® and Duet Sport® (Replaces 8521957A and 8563738A)	W10121663
29" (Oval Door Opening Models)	280115
Cabrio®	W10071550A
Ultra-Capacity (Hamper Door Only)	8212450A
4-Way Venting Kit	
White	279818
Biscuit	279925
Pewter	279969
Black	279820
Ocean Blue	280102
Diamond Dust	280171A
Aspen	W10152954
Tuscan Chestnut	W10152955

FABRIC FRESHENER FEATURES & SPECIFICATIONS

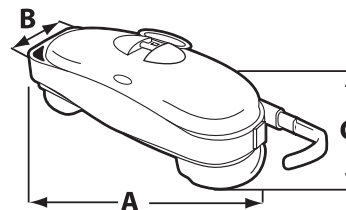
Model No.	LRF4001RY
Heavy Duty Cycle	
Heavy Cotton/Cotton Blends	Yes
Normal Cycle	
Wool	Yes
Sweaters	Yes
Easy Care Garments	Yes
Delicate Cycle	
Silk	Yes
Rayon	Yes
Polyester	Yes
General Information	
Electrical	Standard—2 Prong
Volts @ 60 Hz.	120
Power Cord Length (ft.)	8
Installed Weight (lbs.)	27
Color Availability	Vapor Blue



FABRIC FRESHENER DIMENSIONS

	Width A	Depth B	Height C
Open	32 1/2	12	57 1/8
Closed	32 1/2	12	10

All dimensions are shown in inches.



Dimensions are for planning purposes only. For complete details, see Installation Instructions packed with product. Specifications subject to change without notice.