

ELECTRIC COOKTOP FEATURES & SPECIFICATIONS

Model No.	Whirlpool Gold®							2-Element	Downdraft Modular
		GJC3655R	GJC3654R	GJC3634R				21" RCS2002R	
36"									
30"	GJD3044R	GJC3055R	GJC3054R	GJC3034R	RCC3024R	RCS3014R	RCS3004R	21" RCS2012R	RC8700ED

Cooktop									
Ceramic-Glass Cooktop	Yes	Yes	Yes	Yes	Yes	—	—	—	—
Porcelain-on-Steel Cooktop	—	—	—	—	—	Yes**	Yes**	Yes**	Yes
Surface Units	Radiant	Radiant	Radiant	Radiant	Radiant	Hi-Speed Coil	Hi-Speed Coil	Coil	Open Bays
Right Front	6"	6"	6"	6"	6"	8"	8"	8"	—
Left Front	6/9" Dual	6/9" Dual	6/9" Dual	7" Bridge	9"	6"	6"	6"	—
Right Rear	5/8" Dual	7" 5/8" Dual	7" 5/8" Dual	6" 6/9" Dual	7"	6"	6"	—	—
Left Rear	6"	6" 7/7"	6"	7"	6"	8"	8"	—	—
Center	—	5/8" Dual	5/8" Dual	6/9" Dual	—	—	—	—	—
Warm Zone 5th Element	—	Yes/—	Yes/—	Yes/—	—	—	—	—	—
AccuSimmer® System Element	—	—	Yes	Yes	—	—	—	—	—
Downdraft Vent System	Yes	—	—	—	—	—	—	—	Yes
Infinite-Heat Controls	Yes	Yes	Yes	Yes	Yes	Yes	Yes	Yes	Yes
Hot-Surface Indicator Light	Yes	Yes	Yes	Yes	Yes	—	—	—	—
Power-On Light	No	No	No	No	No	Yes	Yes	Yes	Yes
Chrome Drip Pans	—	—	—	—	—	Yes	Yes	Yes	—
Lift-Off Control Knobs	Yes	—	Yes	Yes	Yes	Yes	Yes	Yes	Yes

General Information									
Total Connected Load (kwh)									
@ 240 Volts	7.2	8.1	8.1	8.1	6.7	7.2	6.7	2012-3.4	7.7
@ 208 Volts	5.4	6.0	6.0	6.0	5.0	5.4	5.0	2012-2.5	—
@ 120 Volts	—	—	—	—	—	—	—	2002-2.4	—
Approval Over Single Oven	—	Yes	Yes	Yes	Yes	Yes	Yes	—	—
Approval with Downdraft	—	Yes	Yes	Yes	Yes	Yes	Yes	—	—
Approx. Shipping Wt. (lbs.)	57	40/35	40/35	40/35	35	49/35	35	18	51
Color Availability*	B	36"- B, S 30"- P, B, S	P, B, S	P, C, B, S	Q, T, B	Q, T, B, S	S	S	B

* Q – White-on-White, P – Pure White, T – Biscuit-on-Biscuit, C – Pure Biscuit, B – Black-on-Black and S – Stainless Steel

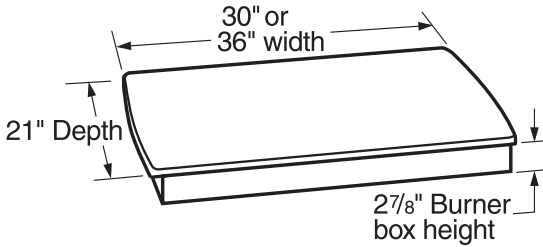
** Stainless model features stainless steel cooktop.

OPTIONAL MODULES FOR ELECTRIC DOWNDRAFT MODULAR

Description	Part No.
Two-Element Coil Porcelain-on-Steel SpillGuard™ Cooktop	RCM10DB — Black
Non-Stick Grill	RCM20DB — Black
Two-Element Ceramic-Glass CleanTop® Surface	RCM30DB — Black
Non-Stick Griddle (requires RCM20DB as a power source)	RCM40DB — Black
Grill Cover	RCM50DB — Black

ELECTRIC COOKTOP DIMENSIONS

30" and 36" Ceramic-Glass Models
 RCC3024R, GJC3034R, GJC3054R, GJC3055R,
 GJC3634R, GJC3654R and GJC3655R

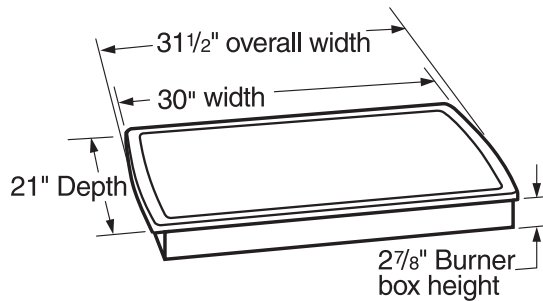


CUT-OUT DIMENSIONS FOR CERAMIC-GLASS MODELS

Model No.	A	B
RCC3024R	29 1/2	20 1/2
GJC3034R	29 1/2	20 1/2
GJC3634R	35 1/2	20 1/2
GJC3054R	29 1/2	20 1/2
GJC3654R	35 1/2	20 1/2
GJC3055R	29 1/2	20 1/2
GJC3655R	35 1/2	20 1/2

30" or 36" models require a 30" minimum base cabinet. If cabinet has a drawer, a 4" depth clearance from the countertop to the top of the drawer (or other obstruction) in base cabinet is required. All dimensions are shown in inches.

30" Coil Models
 RCS3014R and RCS3004R

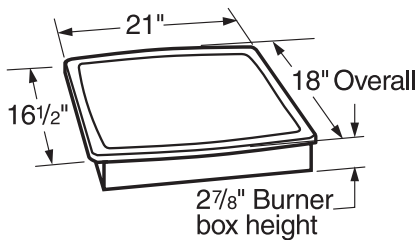


CUT-OUT DIMENSIONS FOR COIL MODELS

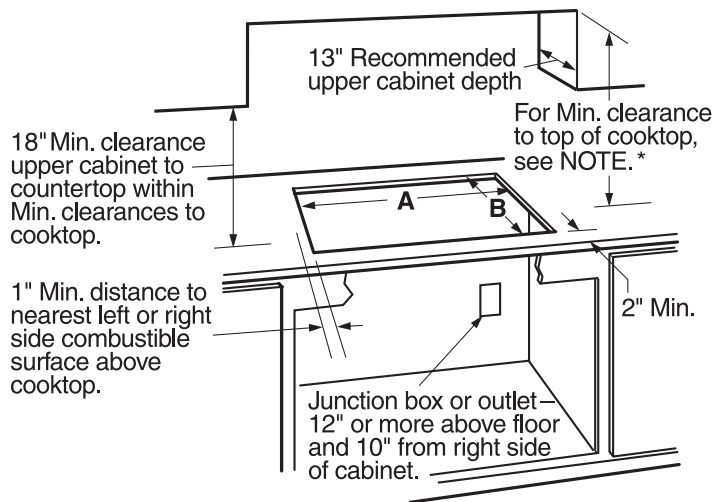
Model No.	A	B
RCS2002R	18 5/8	15 1/2
RCS2012R	18 5/8	15 1/2
RCS3004R	28 7/8	18 5/8
RCS3014R	28 7/8	18 5/8

21" models require 24" base cabinet; 30" and 36" models require a 30" minimum base cabinet. If cabinet has a drawer, a 4" depth clearance from the countertop to the top of the drawer (or other obstruction) in base cabinet is required. All dimensions are shown in inches.

21" Coil Models
 RCS2012R and RCS2002R



* Note: 24" (61 cm) min. clearance if bottom of wood or metal cabinet is protected by not less than 1/4" (0.6 cm) flame retardant millboard covered with not less than No. 28 MSG sheet steel, 0.015" (0.04 cm) stainless steel, or 0.024" (0.06 cm) aluminum or 0.020" (0.05 cm) copper. 30" (76.2 cm) min. clearance between top of cooking platform and bottom of unprotected wood or metal cabinet.



Do not seal cooktop to countertop.

Important note on base cabinet construction:

After making the countertop cutout, some installations may require notching down the base cabinet side walls to clear the burner box. To avoid this modification, use a base cabinet having side walls wider than the cutout.

Cutout dimensions have not changed from previous Whirlpool Gold® Electric Cooktops.

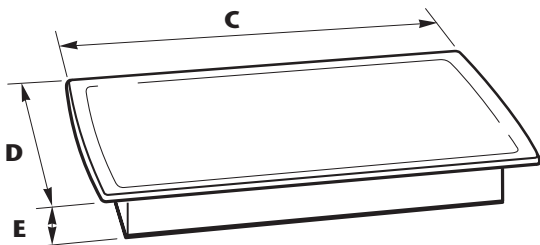
GAS COOKTOP FEATURES & SPECIFICATIONS

Model No.	Whirlpool Gold®				36" SCS3617R	30" SCS3017R	Downdraft Modular
	GLS3675V GLS3074V	GLS3665R GLS3064R	36" GLT3657R	30" GLT3057R			30" SC8720ED
Cooktop							
Stainless Steel Cooktop	Yes	Yes	—	—	—	—	—
Tempered-Glass Cooktop	—	—	Yes	Yes	—	—	—
Porcelain-on-Steel Cooktop	—	—	—	—	Yes**	Yes**	Yes
Burner Type	Sealed	Sealed	Sealed	Sealed	Sealed	Sealed	Open
AccuSimmer® System Burner	—	—	Yes	Yes	—	—	—
Ignition	Electronic	Electronic	Electronic	Electronic	Electronic	Electronic	Pilot-Light
Burner BTU/hr. Rating:							
Right Front	6,000	9,000	12,500	12,500	5,000	5,000	10,000
Left Front	15,000	12,000/15,000	12,500	12,500	12,500	12,500	Open Bay
Right Rear	12,500	12,000	9,100	6,000	12,500	12,500	10,000
Center Rear	9,000/—	15,000/—	6,000	—	—	—	—
Left Rear	6,000	9,000	6,000	9,100	9,100	9,100	Open Bay
Downdraft Vent System	—	—	—	—	—	—	Yes
Porcelain-Coated Cast-Iron Grates	Yes	Yes	Yes	Yes	Yes	Yes	—
Non-Turn Grates	Yes	Yes	Yes	Yes	Yes	Yes	Yes
Lift-Off Control Knobs	Yes	Yes	Yes	Yes	Yes	Yes	Yes
General Information							
LP Conversion Kit Included	Yes	Yes	Yes	Yes	Yes	Yes	—
Approval Over Single Oven	Yes	—	Yes	Yes	Yes	Yes	—
Approval with Downdraft	Yes	—	Yes	Yes	Yes	Yes	—
Approx. Shipping Weight (lbs.)	53/57.5		47	43	44	40	61
Color Availability*	S	S	Q, B	Q, B	Q, B, S	Q, T, B, S	B

* Q – White-on-White, T – Biscuit-on-Biscuit, B – Black-on-Black and S – Stainless Steel
 ** Stainless model features stainless steel cooktop.

OPTIONAL MODULES FOR GAS DOWNDRAFT MODULAR

Description	Part No.
Two-Burner	SCM10DB—Black
Non-Stick Grill	SCM20DB—Black
Non-Stick Griddle (requires SCM20DB as a power source)	SCM40DB—Black
Grill Cover	SCM50DB—Black

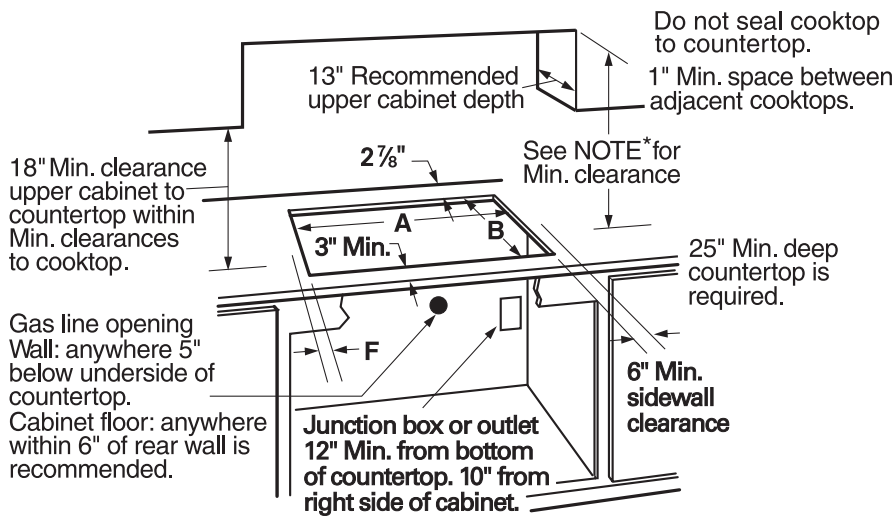


GAS COOKTOPS

Cooktop Model	Cutout Width A	Cutout Depth B	Overall Width C	Depth D	Burner Box Height E
SCS3017R	29	19	31 7/16	21 1/8	2 7/8
SCS3617R	35 1/4	19	37 9/16	21 1/8	2 7/8
GLT3057R	29	19	30 3/16	21 1/8	2 7/8
GLT3657R	35 1/4	19	36 5/16	21 1/8	2 7/8
GLS3064R	29 3/8	19 1/2	30	20 1/8	2 27/32
GLS3665R	35 3/8	19 1/2	36	20 1/8	2 27/32
GLS3074V	29	19	31 7/16	21 1/4	2 7/8
GLS3675V	35 1/4	19	37 9/16	21 1/4	2 7/8

All dimensions are shown in inches. Note: Dimensions A and B located on following page.

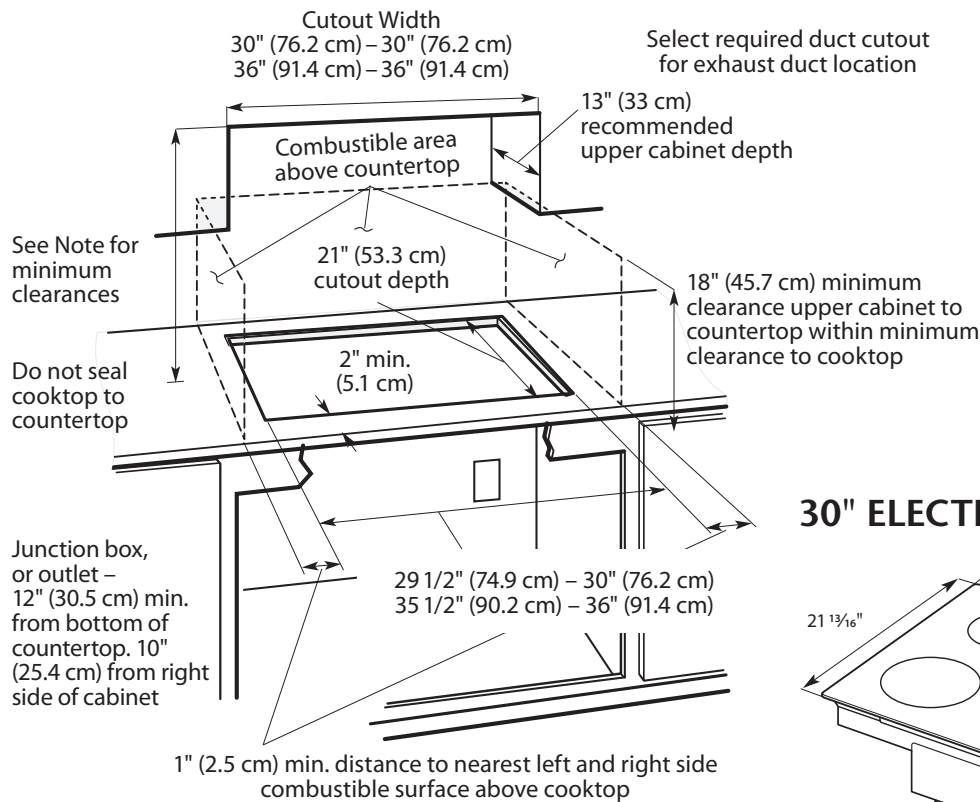
GAS COOKTOP DIMENSIONS



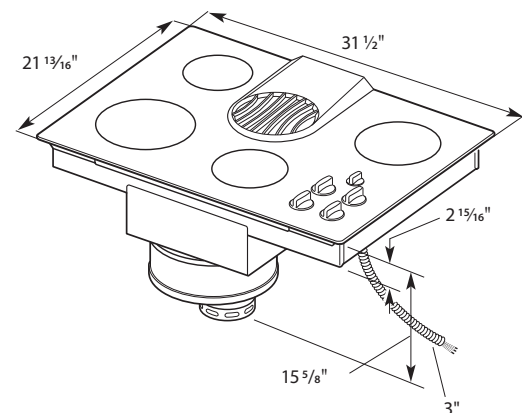
*Note: 24" (61 cm) min. clearance if bottom of wood or metal cabinet is protected by not less than 1/4" (0.6 cm) flame retardant millboard covered with not less than No. 28 MSG sheet steel, 0.015" (0.04 cm) stainless steel, or 0.024" (0.06 cm) aluminum or 0.020" (0.05 cm) copper. 30" (76.2 cm) min. clearance between top of cooking platform and bottom of unprotected wood or metal cabinet.

30" models require a 30" minimum base cabinet; 36" models require a 36" minimum base cabinet. After making the countertop cutout, some installations may require notching down the base cabinet side walls to clear the burner box. To avoid this modification, use a base cabinet with side walls wider than the cutout. If cabinet has a drawer, a 4" depth clearance from the countertop to the top of the drawer (or other obstruction) in base cabinet is required. The drawer depth may need to be shortened to avoid interfering with the regulator. All dimensions are shown in inches.

DOWNDRAFT COOKTOP DIMENSIONS

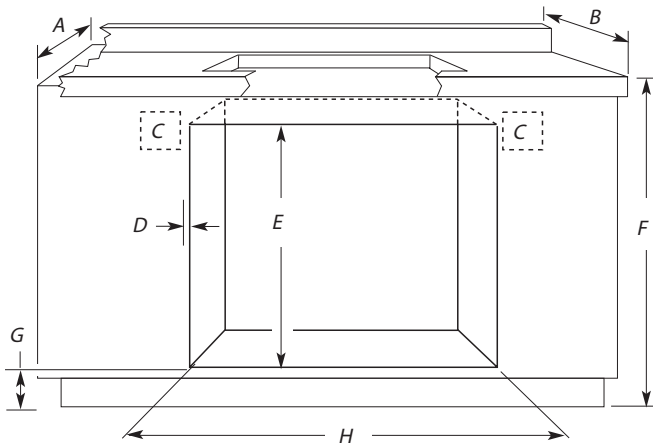


30" ELECTRIC DOWNDRAFT



COOKTOP DIMENSIONS

APPROVED BUILT-IN OVEN AND ELECTRIC COOKTOP COMBINATIONS



- A. 24" (61 cm) cabinet depth
- B. 25" (63.5 cm) countertop depth
- C. Recommended oven and cooktop junction box locations
- D. Allow $\frac{5}{8}$ " (1.6 cm) for oven to overlap each side.
- E. 27 $\frac{3}{4}$ " (70.5 cm) minimum cutout height
- F. 36" (91.4 cm) from cabinet base to countertop
- G. 4 $\frac{5}{8}$ " (11.7 cm) from floor
- H. See Cutout Dimensions chart.

APPROVED COMBINATIONS

	Model Numbers
Built-In Ovens	RBS245, RBS275, RBS305, RBS277, RBS307, GBS279, GBS309
Electric Cooktops	GJC3034, GJC3634, GJC3054, GJC3654, GJC3055, GJC3655, RCC3024, RCS3004, RCS3014

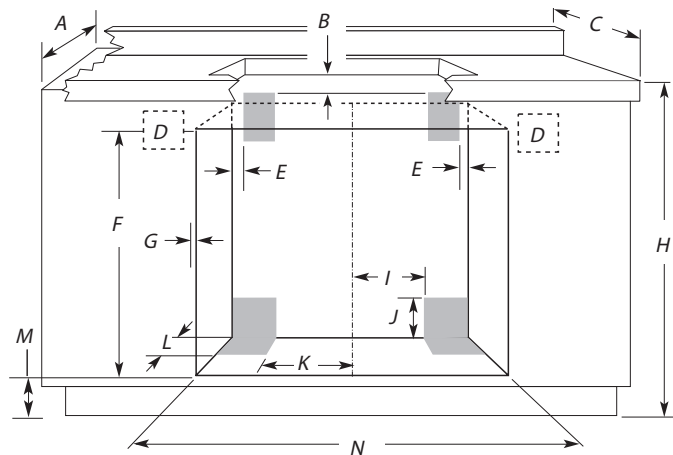
CUTOUT DIMENSIONS

Oven Size	Oven Cutout Dimension
24" (61 cm)	22 $\frac{1}{2}$ " (57.2 cm)
27" (68.6 cm)	25 $\frac{1}{2}$ " (64.8 cm)
30" (76.2 cm)	28 $\frac{1}{2}$ " (72.4 cm)

For the approved model number combinations refer to the undercounter label located on top of the oven chassis and on the bottom of the cooktop burner box.

NOTE: For undercounter installation, it is recommended that the junction boxes for oven and cooktop be located in the adjacent right or left cabinet. A 1" (2.5 cm) minimum diameter hole should have been drilled in the upper rear right or left corner of the side wall surface to pass the appliance cable through to the junction box. On models with Steam-Assist, it will be necessary to drill a $\frac{1}{2}$ " (1.3 cm) minimum diameter hole in the upper right or left rear corner of the side wall to pass the water supply tubing through to the undersink water filter. If water supply tubing hole is drilled on the same side as the oven cable hole, a minimum of 2" (5.1 cm) is required between the 2 holes.

APPROVED BUILT-IN OVEN AND GAS COOKTOP COMBINATIONS



- A. 24" (61 cm) cabinet depth
- B. 1" (2.5 cm) clearance from the top of junction box to bottom of countertop.
- C. 25" (63.5 cm) countertop depth
- D. Recommended oven junction box locations
- E. 1" (2.5 cm) clearance from the side of junction box to cabinet wall.
- F. 27 $\frac{3}{4}$ " (70.5 cm) minimum cutout height
- G. Allow $\frac{5}{8}$ " (1.6 cm) for oven to overlap each side.
- H. 36" (91.4 cm) from cabinet base to countertop
- I. Gas line through wall 10 $\frac{1}{2}$ " (26.7 cm) to center of cutout
- J. 3 $\frac{1}{4}$ " (8.3 cm)
- K. Gas line through floor 10 $\frac{1}{2}$ " (26.7 cm) to center of cutout
- L. 3 $\frac{1}{2}$ " (8.9 cm)
- M. 4 $\frac{5}{8}$ " (11.7 cm) from floor
- N. See Cutout Dimensions chart.

APPROVED COMBINATIONS

	Model Numbers
Built-In Ovens	RBS245, RBS275, RBS305, RBS277, RBS307, GBS279, GBS309
Gas Cooktops	GLT3057, GLT3657, SCS3017, SCS3617, GLS3064, GLS3665, GLS3074, GLS3675

CUTOUT DIMENSIONS

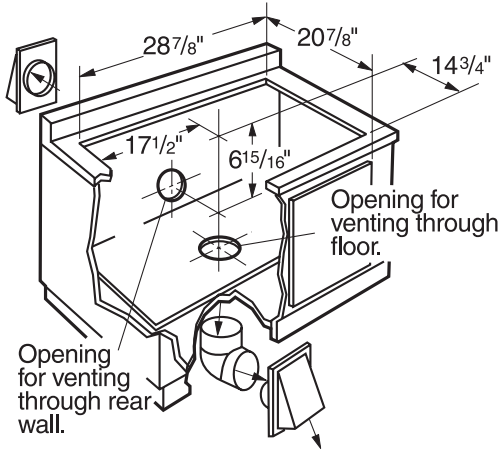
Oven Size	Oven Cutout Dimension
24" (61 cm)	22 $\frac{1}{2}$ " (57.2 cm)
27" (68.6 cm)	25 $\frac{1}{2}$ " (64.8 cm)
30" (76.2 cm)	28 $\frac{1}{2}$ " (72.4 cm)

For the approved model number combination refer to the undercounter label located on top of the oven chassis.

NOTE: For undercounter installation, it is recommended that the junction box for oven be located in the adjacent right or left cabinet. A 1" (2.5 cm) minimum diameter hole should have been drilled in the upper rear right or left corner of the side wall surface to pass the appliance cable through to the junction box. On models with Steam-Assist, it will be necessary to drill a $\frac{1}{2}$ " (1.3 cm) minimum diameter hole in the upper right or left rear corner of the side wall to pass the water supply tubing through to the undersink water filter. If water supply tubing hole is drilled on the same side as the oven cable hole, a minimum of 2" (5.1 cm) is required between the 2 holes. The upper shaded areas are recommended locations for recessed junction box for 120-volt grounded outlet for cooktop. Lower shaded areas are recommended locations for flexible or rigid gas pipe installation. The gas pipe can be installed on either side of the cutout, and either through the floor or through the wall.

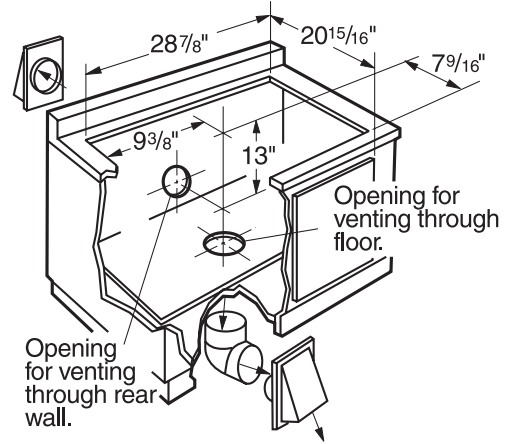
MODULAR DOWNDRAFT COOKTOP DIMENSIONS

Venting Electric Model RC8700ED

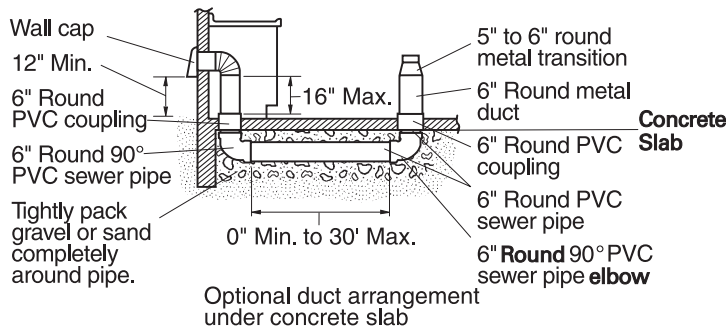
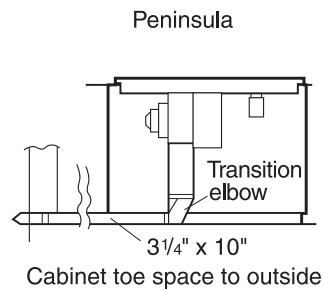
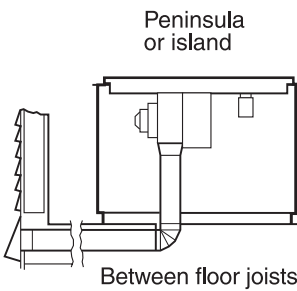
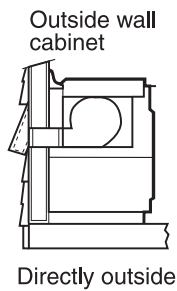
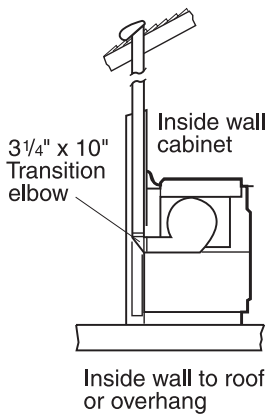
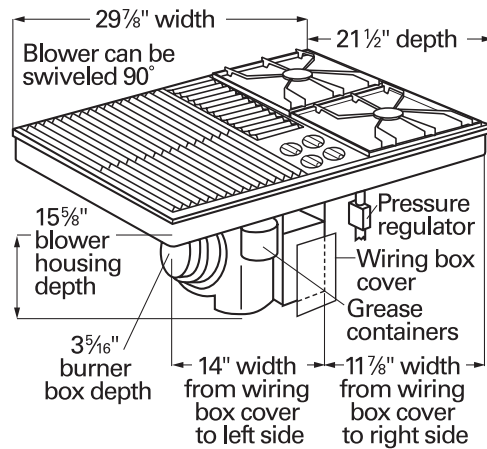
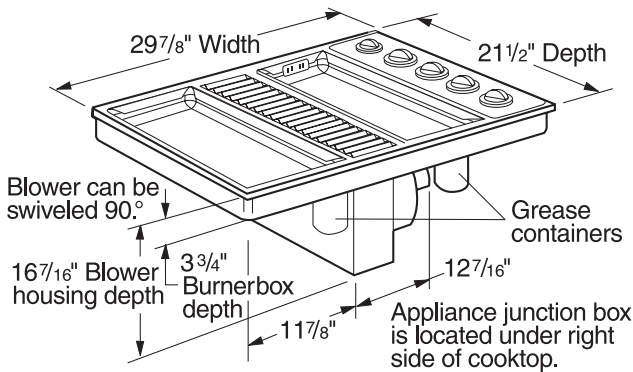


* Note: Countertop must be supported within 3" of cutout. 1 7/8" min. space to front edge of countertop. 1 5/16" min. distance to backsplash or vertical wall.

Venting Gas Model SC8720ED



* Note: Countertop must be supported within 3" of cutout. 1 7/8" min. space to front edge of countertop. 1 5/16" min. distance to backsplash or vertical wall.



Dimensions are for planning purposes only. For complete details, see Installation Instructions packed with product. Specifications subject to change without notice.