

# DISHWASHER FEATURES & SPECIFICATIONS

Model No.	Whirlpool Gold®					
	3000 Series		2000 Series			
	GU3600XTS**	GU3600XTV***	GU2800XTV***	GU2700XTS	GU2475XTV***	GU2455XTS**
Capacity	Super	Super	Super	Super	Super	Super
<b>Sound</b>						
Sound Reduction Package	Quiet Partner™ IV	Quiet Partner™ V	Quiet Partner™ V	Quiet Partner™ IV	Quiet Partner™ IV	Quiet Partner™ III
<b>Washing System</b>						
ENERGY STAR® Qualification†	Yes	Yes—Tier II	Yes—Tier II	Yes	Yes	Yes
Tub Size	Tall Tub—Stainless	Tall Tub—Stainless	Tall Tub—Slate	Tall Tub—Slate	Tall Tub—Slate	Tall Tub—Slate
Wash System	SheerClean™ w/APF	Resource Saver	Resource Saver	SheerClean™ w/APF	SheerClean™ w/APF	SheerClean™ w/APF
Auto Soil Sensor	Yes	Yes	Yes	Yes	Yes	Yes
Self-Cleaning Filters	Yes	No	No	Yes	Yes	Yes
Water Wash Level	5	5	5	5	5	5
Water Feed System	Direct	Direct	Direct	Direct	Direct	Direct
Automatic Temperature Control	Yes	Yes	Yes	Yes	Yes	Yes
<b>Controls</b>						
Control System	Electronic Concealed (Split)	Blue LED Electronic	Blue LED Electronic	Electronic	Blue LED Electronic (Fully Integrated)	Electronic
Cycles	6	6	6	6	6	5
Adaptive Wash Cycle	Yes	Yes	Yes	Yes	Yes	—
Glass Xpress™ Cycle	Yes	Speed Wash	Speed Wash	Yes	Yes	Yes
Pots & Pans	Yes	Yes	Yes	Yes	Yes	Yes
Heavy	—	—	—	—	—	—
Normal	Yes	Yes	Yes	Yes	Yes	Yes
Light/China	Yes	China	China	Yes	China	Yes
Rinse Only	Yes	Yes	Yes	Yes	Yes	Yes
Plate Warmer	—	—	—	—	—	—
Quick Wash	—	—	—	—	—	—
Options	6	6	6	6	6	6
High-Temp Wash††	Yes	Yes	Yes	Yes	Yes	Yes
High-Temp Boost	—	—	—	—	—	—
Soak & Scour Option	PowerScour™	PowerScour™	PowerScour™	PowerScour™	PowerScour™	Yes
NSF Certified Sani-Rinse Option	Yes	Yes	Yes	Yes	Yes	Yes
Low Energy Wash	—	—	—	—	—	—
Drying	Heated Dry	Heated Dry	Heated Dry	Heated Dry	Heated Dry	Heated Dry
Delay Wash	4 Hour	2-4-6 Hour	2-4-6 Hour	1-9 Hour	4 Hour	1-9 Hour
Control Lock	Yes	Yes	Yes	Yes	Yes	Yes
<b>Racks</b>						
Coating	Nylon	Nylon	Nylon	Nylon	Nylon	Nylon
Adjustable Upper Rack	EZ-2-Lift™	EZ-2-Lift™	EZ-2-Lift™	EZ-2-Lift™	Yes	EZ-2-Lift™
Removable Upper Rack	Yes	No	No	Yes	—	—
Cup Shelf with Stemware Holders	1	1	1	1	1	1
Light Item Clips	Yes	Yes	Yes	Yes	Yes	Yes
Utensil Holder Side Clip	Yes	Yes	Yes	Yes	—	Yes
Light Item Side Clip	Yes	Yes	Yes	Yes	—	Yes
Upper Rack Fold-Down Tines	Yes	Yes	Yes	Yes	Yes	Yes
Lower Rack Fold-Down Tines	Yes	Yes	Yes	Yes	Yes	Yes
<b>Silverware/Utensil Baskets</b>						
Silverware Basket	AnyWare™ Plus	AnyWare™ Plus	AnyWare™ Plus	AnyWare™ Plus	AnyWare™ Plus	AnyWare™ Plus
<b>General Information</b>						
Factory Installed Power Cord	—	—	—	—	—	—
Color Availability*	Q, B, Y	Q, B, Y	Q, T, B, S, Y	Q, T, B, S, Y	Q, B, Y	Q, T, B, S

\* Q – White-on-White w/Frameless Panel, T – Biscuit-on-Biscuit w/Frameless Panel, B – Black-on-Black w/Frameless Panel, S – Black Console with Stainless Steel Frameless Panel, Y – Stainless Exterior/Silver Console and D – Universal Silver

\*\* Discontinued Q4'08

\*\*\* Available Q3'08

† As an ENERGY STAR® partner, Whirlpool Corporation has determined that products carrying the ENERGY STAR® emblem meet the ENERGY STAR® guidelines for energy efficiency. \*ENERGY STAR is a U.S. Registered Mark.

†† High-Temp Wash maintains 145°F in the main wash when selected, while High-Temp Boost increases the amount of time the heat is on in the wash and rinse cycles.

Whirlpool Gold®				1000 Series	
2000 Series					
GU2370XTS**	GU2300XTV***	GU2275XTV***	GU2200XTS**	DU1100XTP	DU1055XTS
Super	Super	Super	Super	Super	Super

Quiet Partner™ II	Quiet Partner™ III	Quiet Partner™ III	Quiet Partner™ III	Quiet Partner™ II	Quiet Partner™ I
Yes	Yes	Yes	Yes	Yes	Yes
Tall Tub — Slate	Tall Tub — Slate	Tall Tub — Slate	Tall Tub — Slate	Tall Tub	Tall Tub
SheerClean™ w/APF	SheerClean™ w/APF	SheerClean™ w/APF	SheerClean™ w/APF	SheerClean™ w/APF	SheerClean™
Yes	Yes	Yes	Yes	Yes	—
Yes	Yes	Yes	Yes	Yes	Yes
5	5	5	5	5	5
Direct	Direct	Direct	Direct	Direct	Direct
Yes	Yes	Yes	Yes	Yes	—

Electronic	Electronic	Blue LED Electronic (Fully Integrated)	Electronic	Electronic	Electronic
4	6	6	5	4	4
—	Yes	Yes	—	—	—
—	Yes	Yes	Yes	—	—
Yes	Yes	Yes	Yes	Yes	Yes
—	—	—	—	—	—
Yes	Yes	Yes	Yes	Yes	Yes
Yes	China	China	Yes	Yes	Yes
Yes	Yes	Yes	Yes	Yes	Yes
—	—	—	—	—	—
—	—	—	—	—	—
6	6	6	6	6	5
Yes	Yes	Yes	Yes	Yes	Yes
—	—	—	—	—	—
PowerScour™	PowerScour™	Yes	Yes	Yes	—
Yes	Yes	Yes	Yes	Yes	Yes
—	—	—	—	—	—
Heated Dry	Heated Dry	Heated Dry	Heated Dry	Heated Dry	Heated Dry
4 Hour	2-4-6 Hour	4 Hour	2-4-6 Hour	2-4-6 Hour	2-4-6 Hour
Yes	Yes	Yes	Yes	Yes	Yes

PVC	Nylon	Nylon	Nylon	PVC	PVC
Yes	No	No	—	—	—
—	—	—	—	—	—
—	—	—	—	—	—
—	—	—	—	—	Yes
—	—	—	—	—	—
—	—	—	—	—	—
Yes	—	Yes	Yes	—	—
Yes	Yes	Yes	Yes	—	Yes

AnyWare™ Plus	AnyWare™ Plus	AnyWare™ Plus	AnyWare™ Plus	AnyWare™ Plus	AnyWare™ Plus
---------------	---------------	---------------	---------------	---------------	---------------

—	—	—	—	—	—
Q, T, B, S	Q, T, B, S	Q, B, Y	Q, B, S	Q, T, B, S	Q, T, B, S, D



**ELECTRICAL REQUIREMENTS:**  
 Rated load is 11.0 amps, 120 volts, 60 Hz. AC. 15-amp (20-amp max.) circuit required. When local codes permit, any Whirlpool® dishwasher and a disposer up to 7.2 amps can be installed on a single 20-amp circuit. Do not use an extension cord. Water Pressure — 15 to 120 psi. recommended incoming water temperature — 120° F minimum. Listed by Underwriters' Laboratories.

# DISHWASHER FEATURES & SPECIFICATIONS

Model No.	900 Series			800 Series		
	DU945PWS	DU915PWS	DU895SWP***	DU850SWP	DU810SWP DU811SWP	DU018DWT
Capacity	Extra Large	Extra Large	Large	Large	Large	8 Place Settings
<b>Sound</b>						
Sound Reduction Package	Quiet Wash III	Quiet Wash II	Standard	Standard	Standard	Standard
<b>Washing System</b>						
ENERGY STAR® Qualification**	No	No	Yes	Yes	Yes	Yes
Tube Size	Standard	Standard	Standard	Standard	Standard	Stainless
Wash System	Power Clean™	Power Clean™	DuraWash™	DuraWash™	DuraWash™	Standard
Auto Soil Sensor	—	—	—	—	—	—
Self-Cleaning Filters	Yes	Yes	—	—	—	—
Water Wash Level	5	5	3	3	2	2
Water Feed System	Direct	Direct	Tower	Tower	Tower	Tower
Automatic Temperature Control	—	—	—	—	—	—
<b>Controls</b>						
Control System	Electronic	Electronic	Electro-Mechanical	Electro-Mechanical	Electro-Mechanical	Electro-Mechanical
Cycles	5	5	5	4	5	5
Adaptive Wash Cycle	—	—	—	—	—	—
Glass Xpress™ Cycle	—	—	—	—	—	—
Pots & Pans	Yes	Yes	Yes	Yes	Yes	Yes
Heavy	Yes	Yes	Yes/Heavy Plus	Yes	Yes	Yes
Normal	Yes	Yes	Yes	Yes	Yes	Yes
Light	Yes	Yes	—	—	—	—
Rinse Only	Yes	Yes	Yes	Yes	Yes	Yes
Plate Warmer	—	—	—	—	Yes	—
Quick Wash	—	—	—	—	—	Yes
Options	4	4	3	3	1	2
High-Temp Wash†	Yes	Yes	—	—	—	—
High-Temp Boost	—	—	Yes	Yes	—	—
Soak & Scour	—	—	—	—	—	—
NSF Certified Sani-Rinse Option	—	—	—	—	—	—
Low Energy Wash	—	—	—	—	—	Yes
Drying	Heated Dry	Heated Dry	No Heat Dry	No Heat Dry	No Heat Dry	Energy Saver Dry
Delay Wash	4–Hour	4–Hour	3–Hour	3–Hour	—	—
Control Lock	Yes	Yes	—	—	—	—
<b>Racks</b>						
Coating	PVC	PVC	PVC	PVC	PVC	PVC
Adjustable Upper Rack	Yes	—	—	—	—	—
Removable Upper Rack	—	—	—	—	—	—
Cup Shelf with Stemware Holders	—	—	—	—	—	Upper Cup Shelf
Light Item Clips	—	—	—	—	—	—
Utensil Holder Side Clip	—	—	—	—	—	—
Light Item Side Clip	—	—	—	—	—	—
Upper Rack Fold-Down Tines	—	—	—	—	—	—
Lower Rack Fold-Down Tines	—	—	—	—	—	—
<b>Silverware/Utensil Baskets</b>						
Silverware Basket	AnyWare™	AnyWare™	Large In-the-Rack	Large In-the-Rack	In-the-Rack with Cover	Standard
<b>General Information</b>						
Factory Installed Power Cord	—	—	—	—	DU810: — DU811: Yes	—
Color Availability*	Q, T, B, S	Q, T, B, S	Q, T, B, U††, S	Q, T, B, U††, S	DU810: Q, T, U†† DU811: Q, U††	Q, B

\* Q – White-on-White w/Frameless Panel, T – Biscuit-on-Biscuit w/Frameless Panel, B – Black-on-Black w/Frameless Panel, S – Black Console with Stainless Steel Frameless Panel and Y – Stainless Exterior/Silver Console

\*\* As an ENERGY STAR® partner, Whirlpool Corporation has determined that products carrying the ENERGY STAR® emblem meet the ENERGY STAR® guidelines for energy efficiency. ®ENERGY STAR is a U.S. Registered Mark.

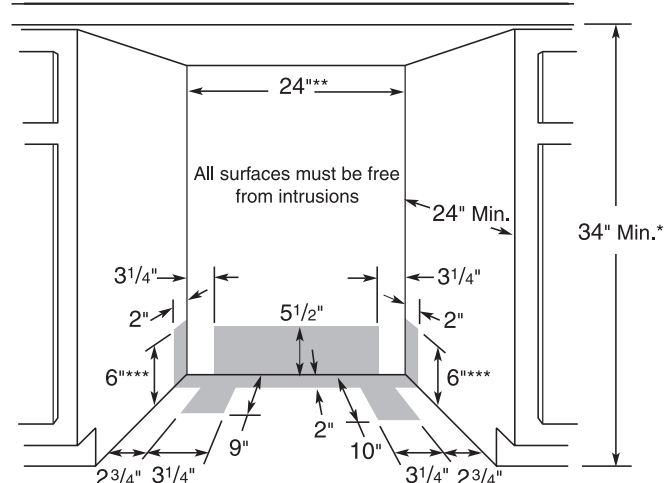
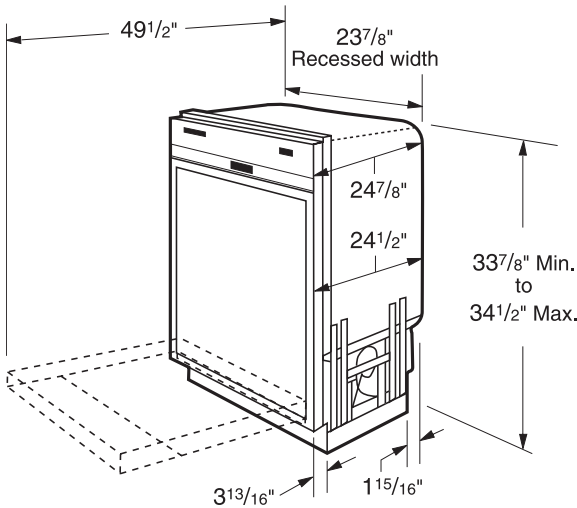
\*\*\* Discontinued Q3'08

† High-Temp Wash maintains 145°F in the main wash when selected, while High-Temp Boost increases the amount of time the heat is on in the wash and rinse cycles.

†† U – Black Console w/Black/Almond and Biscuit/White Panels, available as optional accessory kit.

# DISHWASHER DIMENSIONS

Models GU3600XTS, GU3600XTV, GU2800XTV, GU2700XTS, GU2475XTV, GU2455XTS, GU2370XTS, GU2300XTV, GU2275XTV, GU2200XTS, DU1100XTP and DU1055XTS

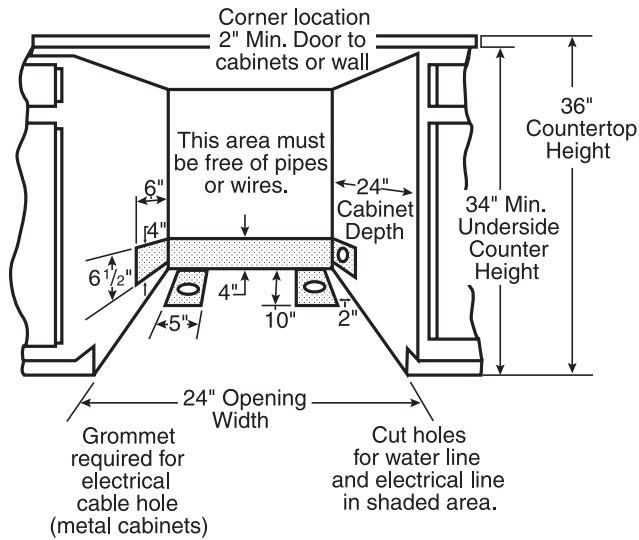
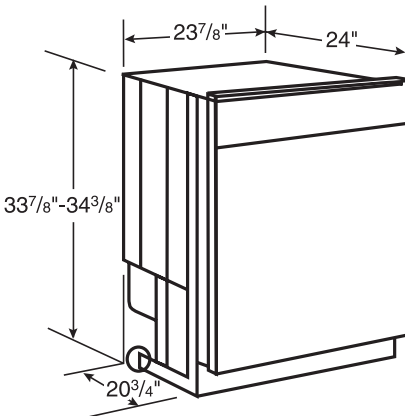


\*Measured from the lowest point on the underside of countertop. May be reduced to 33 7/8" by removing wheels from dishwasher.  
 \*\*Minimum, measured from narrowest point of opening.  
 \*\*\*May be increased to 6 7/8" if height of opening is 34 1/2" at its lowest point.

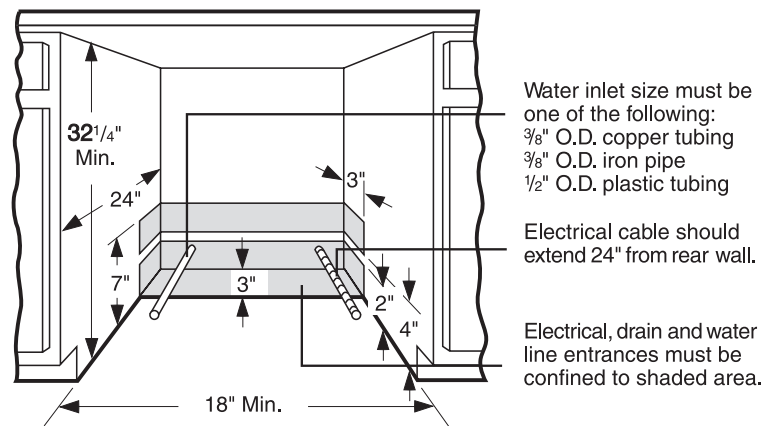
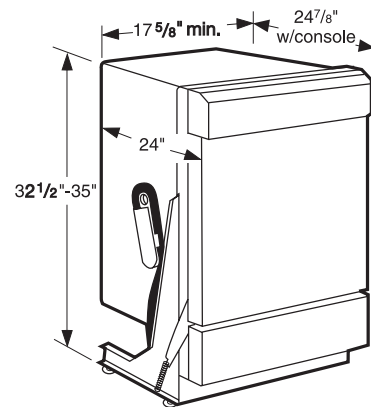
Cut openings in shaded area of cabinet walls or floor as specified in chart:

OPENING FOR:	DIAMETER:
water line	1/2"
drain line	1 1/2"
direct wire	3/4"
power supply cord	1 1/2"

Models DU945PWS, DU915PWS, DU895SWP, DU850SWP, DU811SWP and DU810SWP



Model DU018DWT



Water inlet size must be one of the following:  
 3/8" O.D. copper tubing  
 3/8" O.D. iron pipe  
 1/2" O.D. plastic tubing

Electrical cable should extend 24" from rear wall.

Electrical, drain and water line entrances must be confined to shaded area.

# DISHWASHER CUSTOM PANELS AND OPTIONAL ACCESSORY KITS

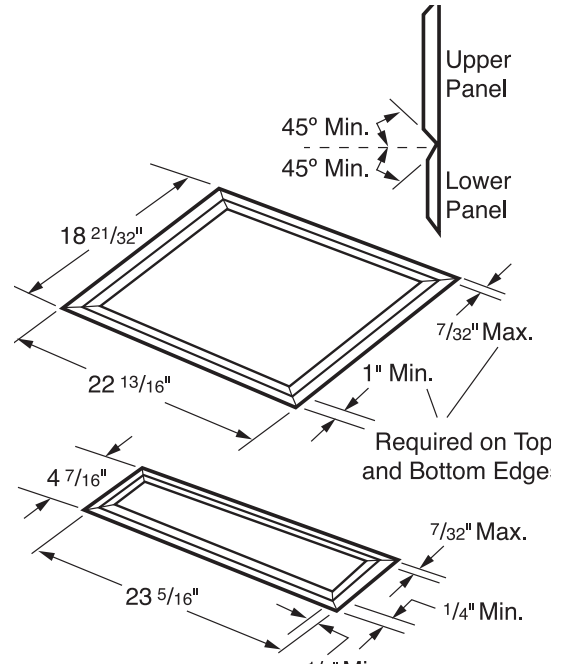
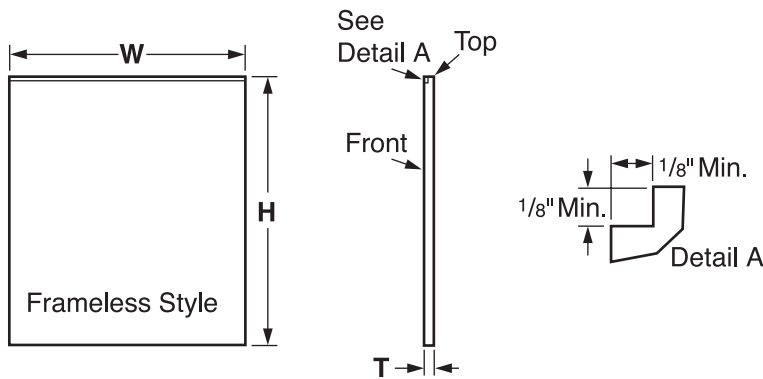
	White	Biscuit	Black	Stainless
<b>MODELS: GU3600XTS, GU3600XTV, GU2800XTV, GU2700XTS, GU2455XTS, GU2370XTS, GU2300XTV, GU2200XTS and DU1100XTP</b>				
4" Console Trim Kit*	4396200	4396201	4396199	—
4" Wrap Around Panel	—	—	—	8171777
Side Panel Kit	8171656	8171658	8171657	8171659
<b>MODEL: DU1055XTS</b>				
6" Console Trim Kit*	4396197	4396198	4396196	—
Side Panel Kit	8171656	8171658	8171657	8171659
<b>MODELS: DU945PWS, DU915PWS, DU895SWP, DU850SWP, DU811SWP and DU810SWP</b>				
Framed Custom Panel Kit	675776	675809	675775	—
Wrap Around Panel Kit	—	—	—	4378968
Side Panel Kit	4378867	675788	4378868	—

\* Trim Kit accommodates both a framed and frameless custom panel design.  
 Floor Mounting Kits for: GU3600XTS Part #8171477, Plastic Tall Tub Models Part #4396194, Standard Tub Models Part #4378968.  
 Power Cord (all models) Part #4317824. Side mount kit for plastic tall tub models Part#8212560.

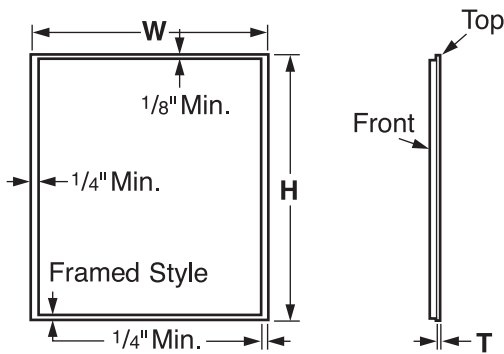
## DISHWASHER CUSTOM PANEL DIMENSIONS

4" Model: GU3600XTS, GU3600XTV, GU2800XTV, GU2700XTS, GU2455XTS, GU2370XTS, GU2300XTV, GU2200XTS, and DU1100XTP

6" Models: DU945PWS, DU915PWS, DU895SWP, DU850SWP, DU811SWP and DU810SWP



6" Model: DU1055XTS



\*Cutting Notes for Custom Panels:

1. Custom panel for door cannot exceed 8 lb. weight.
2. Upper and lower panels are not the same width.
3. Match woodgrain direction with that of adjacent cabinets.
4. Sand panel edges to provide a smooth finish.
5. Use moisture-resistant sealer on sides and edges of panels to protect from humidity. (Dishwasher is subject to humidity.)

Style	Height (H)	Width (W)	Thickness (T)
Frameless 4"	25 29/32	23 3/8	3/4
Framed 4"	26	23 1/4	1/4
Frameless 6"	24 3/8	23 3/8	3/4
Framed 6"	24 15/32	23 1/4	1/4

All dimensions are shown in inches.