

FRENCH DOOR BOTTOM-MOUNT & BOTTOM-MOUNT FREEZER REFRIGERATOR FEATURES & SPECIFICATIONS

Model No.	French Door Bottom-Mount Freezer				Whirlpool Gold® Bottom-Mount Freezer		
	G15FSAXV	G15FVAXV	GX5FHTXV	GX5FHDXV	GB2SHDXT	GB9SHDXT	GB9SHKXM
Capacity							
Total Volume (cu. ft.)	24.9	24.9	24.8	24.8	22.1	18.6	18.6
Refrigerator Volume (cu. ft.)	18.3	18.3	17.3	17.3	15.7	12.9	12.9
Freezer Volume (cu. ft.)	6.61	6.61	7.5	7.5	6.4	5.7	5.7
Total Shelf Area (sq. ft.)	26.1	26.1	28.8	28.8	24.3	21.9	21.9
ENERGY STAR® Qualified†	Yes	Yes	Yes	Yes	Yes	Yes	Yes
Refrigerator							
EZ-Change™ Water Filtration Dispenser System	Yes	Yes	Yes	—	—	—	—
Adjustable SpillGuard™ Glass Shelves	1 Mini/ 2 Slide-out	1 Mini/ 3 Slide-out	3 Slide-out/ 1 Standard	4 Half-Width	3 Slide-out/ 1 Standard	3 Slide-out/ 1 Standard	3 Slide-out/ 1 Standard
Internal Water Dispenser	—	—	Yes	—	—	—	—
Clear Crisper(s)	2 Humidity- Controlled	2 Humidity- Controlled	2 Humidity- Controlled	2 Humidity- Controlled	2 Humidity- Controlled	2 Humidity- Controlled	2 Humidity- Controlled
Adjustable Door Bins	1 Standard/ 2 Full-Width Gallon	2 Standard/ 2 Full-Width Gallon	3 Standard/ 1 Full-Width Gallon	3 Standard/ 1 Full-Width Gallon	Clear	Clear	Clear
Pantry Drawer	Hanging Deli Drawer	—	Hanging Deli Drawer	Hanging Deli Drawer	—	—	—
Bottle Caddy	—	—	—	—	—	—	—
Dairy Compartment	Yes	Yes	Yes	Yes	—	—	—
Door Can Caddy	Yes	—	Yes	Yes	—	—	—
Gallon Door Storage	Yes	Yes	Yes	Yes	Yes	Yes	Yes
Clear Meat Pan	—	—	—	—	Yes	Yes	Yes
Utility Shelf/Compartment	—	—	—	—	Yes	Yes	Yes
Up-Front Temp Control(s)	Electronic	Electronic	Electronic	Electronic	Digital	Digital	Yes
Freezer							
Automatic Ice Maker	Yes	Yes	Yes	Yes	Yes	Optional**	Optional**
Removable Shelf	—	—	—	—	—	—	Yes
Wire Basket(s)	Yes	Yes	Yes	—	Drawer	Drawer	Drawer
Light	Yes	Yes	Yes	Yes	Yes	Yes	Yes
General Information							
Doors	Smooth	Smooth	Smooth	Smooth	—	—	—
Door Handle(s)	—	—	Metal	Metal	Bow	Bow	Bow
Accu-Chill™ System	—	—	—	—	—	—	—
Foam-in-Place Doors	Yes	Yes	Yes	Yes	Yes	Yes	Yes
Double Tub Construction	Yes	Yes	Yes	Yes	Yes	Yes	Yes
Textured Steel Cabinet	Yes	Yes	Yes	Yes	Yes	Yes	Yes
Reversible Doors	—	—	—	—	Yes	Yes	Yes
Auto Exterior Moisture Control	Yes	Yes	Yes	Yes	Yes	Yes	Yes
Adjustable Rubber Rollers/Levelers	Yes	Yes	Yes	Yes	Yes	Yes	Yes
Approx. Shipping Weight (lbs.)	375	375	350	350	292	292	259
Color Availability*	Q, B, A, Y	Q, B, L	Q, B, A, Y, D	Q, T, B, A, Y, D	Q, B, S	Q, B, S	Q

* Q – White, T – Biscuit, B – Black, S – Stainless Steel, L – Satina® Stainless Look Finish, Y – Monochromatic Stainless Steel,

A – Monochromatic Satina® Stainless Look Finish and D – Universal Silver

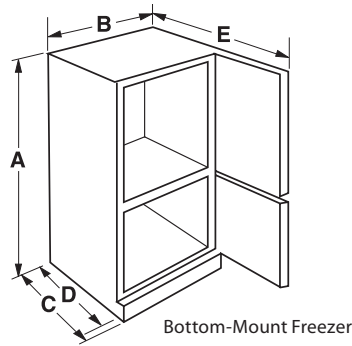
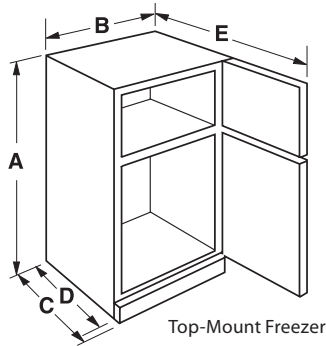
** Accepts Icemagic® automatic ice maker kit part #ECKMF94; models GB9SHDXP and GB9SHKXM accept automatic ice maker kit part #AMKIT02.

† As an ENERGY STAR® partner, Whirlpool Corporation has determined that products carrying the ENERGY STAR® emblem meet the ENERGY STAR® guidelines for energy efficiency. ®ENERGY STAR is a U.S. Registered Mark.

TOP-MOUNT & BOTTOM-MOUNT REFRIGERATOR DIMENSIONS

Model No.	TOC - Top of Cabinet. Add ¾" for Hinge Cover	Door Width ¼" Greater Than Cabinet Width	Depth Including Handles and Brackets on Back of Cabinet	Minimum width of any doorway refrigerator must pass through	Depth with Door Open 90°
	Height Overall (TOC) A	Cabinet Width B	Depth Including Handles C	Depth Less Door and Base Grille D	Depth Extreme Swing of Door E
GR2SHWXV	65 ½	32 ½	32 ¼	27 ¾	61 ¼
GR2FHMXV	65 ½	32 ½	31 ½	27 ¾	61 ¼
GR9FHMXV	65 ½	29 ½	31 ½	27 ¾	61 ¼
ET1FTEXV	65 ½	32 ½	31 ¾	27 ¾	61
ET8FTEXV	65 ¾	29 ½	31 ¾	27 ¾	58
ET1CHEXV	65 ½	32 ½	31 ¾	27 ¾	61
ET8CHEXV	65 ½	29 ½	31 ¾	27 ¾	58
ET8WTEXV	65 ½	29 ½	31 ¾	27 ¾	58
ET8WTKXK	65 ½	29 ½	31 ¾	27 ¾	58
ET8WTMXK	65 ½	29 ½	31 ¾	28 ¼	58
ET8WTKXV	67 ¾	28	3 ¾	28 ½	57
ER8AHMXR	67 ¾	28	31	27 ¾	56 ¼
ER8AHKXR	68	28	31	27 ¾	56 ¼
ET5WSEXV	62 ¾	28	32 ¾	27 ¾	57
ET6WSKXS	65 ¾	28	32 ¾	27 ¾	57
ET4WSKXS	62 ½	28	31 ½	27 ¾	57
ET4WSKYS	62 ½	28	31 ½	27 ¾	57
GI5FSAXV	68 ¾	35 ¾	35 ¼	29	48
GI5FVAXV	68 ¾	35 ¾	35 ¼	29	48
GX5FHTXV*	68 ½	35 ¾	35 ½	29 ½	48
GX5FHDXV*	68 ½	35 ¾	35 ½	29 ½	48
GB2SHDXT*	68 ½	32 ¾	33 ¼	28 ½	62
GB9SHDXP*	65 ½	29 ¾	32 ½	27 ½	59 ½
GB9SHKXM*	65 ¾	29 ¾	32 ½	27 ½	59 ½

* Add 1 ¾" for hinge cover on bottom-mount models.
All dimensions are shown in inches.



REFRIGERATOR DOOR PANEL AND TRIM KITS

Model No.	Stainless Look Trim Kit	Stainless-Look Panel (Brushed Aluminum)
ET1FTEXV	2212731	2212734
ET8FTEXV	2212729	2212733
ET1CHEXV	2212731	2212734
ET8CHEXV	2212729	2212733
ET8WTEXV	2212729	2212733
ET8WTKXK	2212729	2212733
ET8WTMXK	2212729	2212733