

# COUNTERTOP MICROWAVE FEATURES & SPECIFICATIONS

Model No.	Whirlpool Gold®		MT4155SP	MT4110SP	MT4078SP
	GM8155XJ	GT4175SP			
<b>Microwave</b>					
Capacity (cu. ft.)	1.5	1.7	1.5	1.1	0.7
Cooking Power (watts)	1000 Microwave 1500 Convection	1200	1200	1100	700
<b>Cooking Functions</b>					
Sensor Cooking	Yes	Yes	Yes	—	—
MaxWave™ Microwave System	Yes	Yes	Yes	Yes	—
Programmed Cooking	5-Stage	4-Stage	4-Stage	4-Stage	4-Stage
EZ-Choice® Cycles	—	Yes	Yes	Yes	Yes
Variable Power Levels	10	10	10	10	10
Add Minute/ Add 30 Sec.	Add 30 Sec.	Add 30 Sec.	Add 30 Sec.	Add 30 Sec.	Add Minute
Warm/Hold	Yes	Yes	Yes	Yes	Yes
Personal Choice	—	Yes	Yes	Yes	—
<b>Cycles</b>					
Baked Potato	Yes — Sensor	Yes — Sensor	Yes — Sensor	Yes	Yes
Dinner Plate	Yes — Sensor	Yes — Sensor	Yes — Sensor	Yes	Yes
Beverage	—	—	—	Yes	Yes
Frozen Entree	Yes — Sensor	Yes — Sensor	Yes — Sensor	Yes	Yes
Defrost	Yes	Yes	Yes	Yes	Yes
Reheat	Yes — Sensor**	Yes — Sensor**	Yes	Yes	—
Cook	Yes — Sensor**	Yes — Sensor**	Yes — Sensor**	Yes	—
Casserole	Yes — Sensor	Yes — Sensor	Yes — Sensor	Yes	Yes
Popcorn	Yes — Sensor	Yes — Sensor	Yes — Sensor	Yes	Yes
Vegetable	Yes — Sensor	Yes — Sensor	Yes — Sensor	Yes	Yes
<b>Convenience</b>					
Glass Turntable	Yes	Yes — Sunken	Yes — Sunken	Yes — Sunken	Yes — Sunken
Child Lockout	Yes	Yes	Yes	Yes	Yes
<b>General Information</b>					
Cavity Dimensions (in.) (W x H x D)	15 ¼ x 10 7/8 x 15 ¼	16 9/16 x 10 5/16 x 16 11/16	15 11/16 x 9 11/16 x 15 9/16	13 7/8 x 8 ¾ x 14 5/8	12 3/16 x 7 15/16 x 11 9/16
Exterior Dimensions (in.) (W x H x D)	22 5/8 x 14 7/8 x 20	22 19/32 x 13 9/16 x 17 15/16	21 7/8 x 12 ½ x 17 ½	20 1/8 x 11 7/8 x 15 1/8	17 15/16 x 11 1/16 x 12 15/16
Under-the-Cabinet Kit†	—	—	—	—	Included
Approx. Shipping Weight (lbs.)	59	47	40	32	33
Color Availability*	Q, T, B	Q, T, B, S	Q, T, B, S	Q, B	Q, B

\* Q – White-on-White, T – Biscuit-on-Biscuit, B – Black-on-Black and S – Stainless Steel

\*\* Certain Food Classes

† Under-the-Cabinet Kit included with model MT4078SP

# COUNTERTOP MICROWAVE DIMENSIONS

## CUTOUT DIMENSIONS

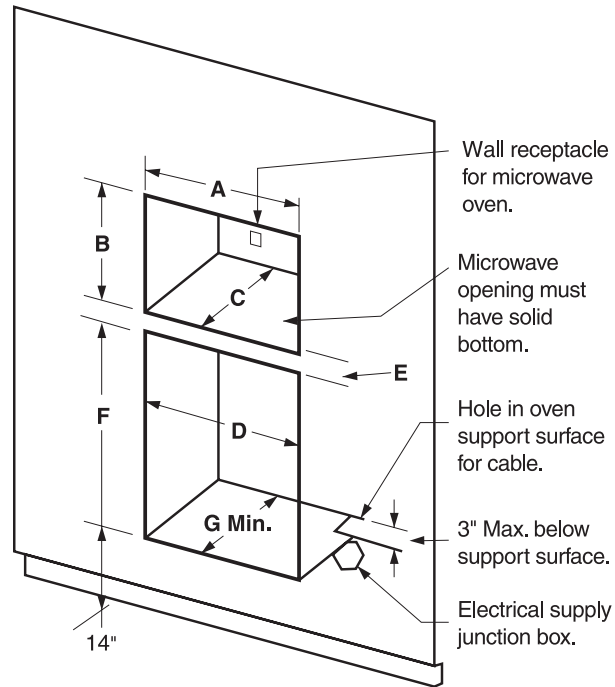
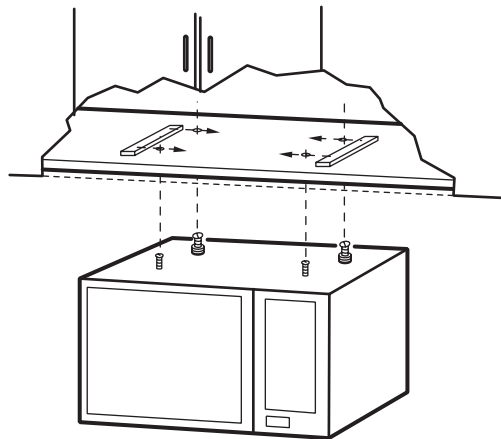
Models	Microwave Oven			Lower Oven			
	A Width	B Height (min.)	C Depth	D Width	E Height (min.)	F Height	G Depth
<b>Above 30" Single Oven</b>							
1.7 cu. ft.	28 1/2	16 3/4	21	28 1/2	3	27 3/4	23 1/4
1.5 cu. ft. (convection)	28 1/2	17 1/4	23 3/4	28 1/2	3	27 3/4	23 1/4
1.5 cu. ft.	28 1/2	15 3/4	18 1/2	28 1/2	3	27 3/4	23 1/4
<b>Above 27" Single Oven</b>							
1.7 cu. ft.	25 1/2	16 3/4	21	25 1/2	3	27 3/4	23 1/4
1.5 cu. ft. (convection)	25 1/2	17 1/4	23 3/4	25 1/2	3	27 3/4	23 1/4
1.5 cu. ft.	25 1/2	15 3/4	18 1/2	25 1/2	3	27 3/4	23 1/4
<b>Above 24" Single Oven</b>							
1.5 cu. ft.	22 1/2	15 3/4	18 1/2	22 1/2	3	27 3/4	23 1/4
<b>Not Approved for Over Heat Source</b>							
0.7 cu. ft.	22 1/2	15 3/4	15	—	—	—	—

All dimensions are shown in inches.

## UTC (UNDER-THE-CABINET) MOUNTING KIT

Microwave Model No.	UTC Kit Part No.
MT4078SP	Packed with Product

Note: Space between countertop and mounted microwave must be at least 7/8". For mounting and dismantling ease, allow adequate space (approx. 2 5/16") between unit and adjacent wall or appliance.



Cutout dimensions (shown in inches) for installing Whirlpool® microwave ovens above Whirlpool® ovens using MK series kits.

## TRIM KITS

Microwave Model No.	30" Trim Kit	Exterior Dim. (W x H)	Interior Dim. (W x H)	27" Trim Kit	Exterior Dim. (W x H)	Interior Dim. (W x H)	24" Trim Kit	Exterior Dim. (W x H)	Interior Dim. (W x H)
<b>Built-In Applications Over a Heat Source</b>									
GM8155XJ	MK1150XJ	29 3/4 x 20 5/16	22 5/8 x 14 7/8	MK1157XJ	26 3/4 x 20 5/16	22 5/8 x 14 7/8	—	—	—
GT4175SP	MK1170XP	29 25/32 x 19 1/64	24 x 12 7/8	MK1177XP	26 27/32 x 19 1/64	24 x 12 7/8	—	—	—
MT4155SP	MK1150XP	29 25/32 x 18 1/32	22 1/16 x 11 7/8	MK1157XP	26 27/32 x 18 1/32	22 1/16 x 11 7/8	MK1154XP	23 25/32 x 18 1/32	22 1/16 x 11 7/8

All dimensions are shown in inches.

# MICROWAVE/HOODS FEATURES & SPECIFICATIONS

Model No.	Whirlpool Gold®				Microwave/Hood Combinations MH3184XP
	SpeedCook Appliances		Microwave/Hood Combinations		
	GH7208XR	GH6177XP	GH5184XP	GH4155XP	
<b>Microwave</b>					
Capacity (cu. ft.)	2.0	1.7	1.8	1.5	1.8
Cooking Power (watts)	1200	1100	1100	1000	1000
<b>Cooking Functions</b>					
g2Max® SpeedCook Technology	Yes	Yes	—	—	—
AccuWave® System	Yes	Yes	Yes	—	—
True Convection Cooking	Yes	—	—	—	—
Auto Cooking	Yes	Yes	Yes	Yes	Yes
Easy Minute Keys	Yes	Yes	Yes	Yes	Yes
Add 30 Sec.	Yes	Yes	Yes	Yes	Yes
Programmed Cooking	4-Stage	4-Stage	3-Stage	—	3-Stage
Variable Power Levels	10	10	10	10	10
Add Minute	Yes	Yes	Yes	Yes	Yes
Warm Hold	Yes	Yes	Yes	Yes	Yes
Personal Choice (Most Used)	Yes	—	—	—	—
<b>Cycles</b>					
Kids Menu	Yes	Yes	Yes	—	—
SureMist® Steamer	Yes — Sensor**	—	—	Yes	—
Soften & Melt	Yes	Yes	Yes	—	—
Simmer Cook Function	Yes — Sensor	Yes	Yes	Yes — Sensor	Yes
Sizzle & Grill	Yes — 1500 Watts	Yes — 1500 Watts	—	—	—
Convection	Yes	—	—	—	—
Combination	Yes	—	—	—	—
Soups/Sauces	Yes — Sensor	Yes — Sensor	Yes — Sensor	Yes — Sensor	Yes — Sensor
Dinner Plate	Yes — Sensor	Yes — Sensor	Yes — Sensor	Yes — Sensor	Yes — Sensor
Pizza Reheat	Yes	Yes — Sensor	Yes	Yes — Sensor	Yes — Sensor
Beverage	Yes	Yes	Yes	Yes — Sensor	Yes
Frozen Entree	Yes — Sensor	Yes — Sensor	Yes — Sensor	Yes — Sensor	Yes — Sensor
Roast	Yes	—	—	—	—
Defrost	Yes	Yes	Yes	Yes	Yes
Reheat	Yes — Sensor**	Yes — Sensor**	Yes — Sensor**	Yes — Sensor**	Yes — Sensor**
Cook	Yes — Sensor**	Yes — Sensor**	Yes — Sensor**	Yes — Sensor**	Yes — Sensor**
Popcorn	Yes — Sensor	Yes — Sensor	Yes — Sensor	Yes — Sensor	Yes — Sensor
Vegetable	Yes — Sensor	Yes — Sensor	Yes — Sensor	Yes — Sensor	Yes
Casserole	Yes — Sensor	Yes — Sensor	Yes	Yes	Yes
Baked Potato	Yes — Sensor	Yes — Sensor	Yes — Sensor	Yes — Sensor	Yes — Sensor
<b>Convenience</b>					
Glass Turntable	Yes	Sunken, Stoppable	Sunken, Stoppable	Sunken, Stoppable	Sunken, Stoppable
Bi-Level Rack	Conv. Rack	Yes	Yes	Yes	Yes
Sizzle Pan with Handle	Yes	Yes	—	—	—
Grill Rack	Yes	Yes	—	—	—
4-Plate Reheating Capability	Yes	Yes	Yes	Yes	Yes
Child Lockout	Yes	Yes	Yes	Yes	Yes
<b>Hood</b>					
Quiet Partner™ Hood System	—	Yes	Yes	Yes	—
TruCapture® Ventilation System	Yes	—	—	—	—
Exhaust Fan	4-Speed	4-Speed	4-Speed	4-Speed	4-Speed
EZ-View™ Cooktop Lighting	Yes	Yes	Yes	Yes	Yes
Grease and Charcoal Filters	Yes	Included	Included	Included	Included
Odor Filter	—	—	—	—	—
<b>General Information</b>					
Cavity Dimensions (in.) (W x H x D)	20 ½ x 10 ½ x 16 ⅞	21 ¾ x 9 ⅜ x 14 ¾	22 ⅞ x 9 ½ x 14 ½	22 ⅞ x 8 ⅝ x 13 ⅞	22 ⅞ x 9 ½ x 14 ½
Exterior Dimensions (in.) (W x H x D)	29 ⅞ x 15 ¼ x 18 ¼	29 ⅞ x 17 ⅜ x 15 ⅞	29 ⅞ x 17 ¼ x 15 ⅞	30 x 16 ⅞ x 15 ⅞	29 ⅞ x 17 ¼ x 15 ⅞
EZ-View™ Window	Yes	Yes	Yes	Yes	Yes
Convertible for Vented or Non-Vented Use	Yes	Yes	Yes	Yes	Yes
Approx. Shipping Weight (lbs.)	96	75	75	86	55
Color Availability*	Q, B, S, Y	Q, B, S	Q, T, B, S	B	Q, B, S

\* Q – White, T – Biscuit, B – Black, S – Stainless Steel, Y – Monochromatic Stainless Steel and D – Universal Silver

\*\* Some Cycles

Microwave/Hood Combinations			
MH2175XS	MH1170XS	WMH1171XV	WMH1162XV
1.7	1.7	1.7	1.6
1000	1000	1000	950
—	—	—	—
—	—	—	—
—	—	—	—
Yes	Yes	Yes	Yes
—	—	—	—
Yes	Yes	Yes	Yes
3-Stage	3-Stage	3-Stage	3-Stage
10	10	10	10
—	Yes	Yes	Yes
Yes	Yes	Yes	—
—	—	—	—
—	—	—	—
—	—	—	—
—	—	—	—
—	—	—	—
—	—	—	—
—	—	—	—
—	—	—	—
—	—	—	—
Yes — Sensor	Yes	Yes	Yes
Yes — Sensor	Yes	Yes	Yes
—	Yes	Yes	Yes
Yes	Yes	Yes	Yes
Yes — Sensor**	Yes	Yes	Yes
—	—	—	—
Yes	Yes	Yes	Yes
Yes	Yes	Yes	Yes
Yes — Sensor**	Yes	Yes	Yes
Yes — Sensor	Yes	Yes	Yes
Yes	Yes	Yes	Yes
—	Yes	Yes	Yes
Yes — Sensor	Yes	Yes	Yes

Sunken, Stoppable	Sunken, Stoppable	Sunken, Stoppable	Sunken
Yes	Yes	Yes	—
—	—	—	—
—	—	—	—
Yes	Yes	Yes	—
Yes	Yes	Yes	Yes

—	—	—	—
—	—	—	—
3-Speed	3-Speed	3-Speed	2-Speed
—	—	—	—
Included	Included	Included	Included
—	—	—	—

22 3/8 x 8 3/16 x 13 13/16	22 3/8 x 8 3/16 x 13 13/16	22 3/8 x 8 3/16 x 13 13/16	22 3/8 x 8 3/16 x 13 13/16
29 15/16 x 17 1/4 x 15 7/16	29 15/16 x 17 1/4 x 15 7/16	29 15/16 x 17 1/4 x 15 7/16	29 15/16 x 17 1/4 x 15 7/16
—	Yes	Yes	Yes
Yes	Yes	Yes	Yes
75	58	58	58
Q, T, B, S	Q, T, B, S	S	Q, B, S, D

## MHC DIMENSIONS

Note: There must be at least one wall stud within cabinet opening.

