

# FREESTANDING ELECTRIC RANGE FEATURES & SPECIFICATIONS

Model No.	Whirlpool Gold®		WFE381LV	WFE371LV	WFE366LV	WFE361LV	WFE301LV
	GFE471LV	GFE461LV					
Capacity (cu. ft.)	5.3	5.3	5.3	5.3	5.3	4.8	4.8
Control system	Electronic	Electronic	Electronic	Electronic	Electronic	Electronic	Electronic
<b>Cooktop</b>							
Ceramic Glass CleanTop® System	Yes	Yes	Yes	Yes	Yes	Yes	Yes
6" Radiant Element	2	2	2	2	2	2	2
8" Radiant Element	—	—	—	—	—	—	2
9" Radiant Element	—	—	—	—	—	1	—
12" Radiant Element	—	—	—	1	1	—	—
6"/9" Dual radiant element	1	1	1	1	1	1	—
9"/12" Radiant element	—	1	1	—	—	—	—
6"/9"/12" Radiant Element	1	—	—	—	—	—	—
6" Warm Zone Element	Yes	Yes	Yes	Yes	—	—	—
<b>Oven</b>							
Steam Clean Option	Yes	Yes	Yes	Yes	—	—	—
Hidden Bake Element	Yes	Yes	Yes	Yes	Yes	—	—
TimeSavor™ Convection Cooking System	Plus	Plus	Yes	—	—	—	—
AccuBake® Temperature Management System	Yes	Yes	Yes	Yes	Yes	—	—
Rapid Preheat	Yes	Yes	—	—	—	—	—
Control Bake	Yes	Yes	—	—	—	—	—
Delay Bake	Yes	Yes	Yes	Yes	Yes	—	—
Oven Hold Warm	Yes	Yes	Yes	Yes	Yes	—	—
Custom Broil	Yes	Yes	Yes	Yes	Yes	Yes	Yes
Sabbath Mode	Yes	Yes	—	—	—	—	—
Control Lockout	Yes	Yes	Yes	Yes	Yes	—	—
Clock & Timer	Yes	Yes	Yes	Yes	Yes	Yes	Yes
Automatic Oven Light	Yes	Yes	Yes	Yes	Yes	Yes	—
Racks	2 Adjustable, 1 Split	3 Adjustable	2 Adjustable	2 Adjustable	2 Adjustable	2 Adjustable	2 Adjustable
Oven Window	EasyView™	EasyView™	EasyView™	EasyView™	EasyView™	EasyView™	EasyView™
Full-Width Storage Drawer	Warming	Yes	Yes	Yes	Yes	Yes	Yes
Self-Cleaning System	Precise Clean™	Precise Clean™	Yes	Yes	Yes	Yes	—
<b>Overall Features</b>							
Energy Save Mode	Yes	Yes	—	—	—	—	—
Metal Handle	S	S	S	S	S	S	S
Color Availability*	Q, B, S	Q, T, B, S	Q, B, S	Q, B, S	Q, T, B, S	Q, T, B, S, D	Q, B, S

\* Q – White, T – Biscuit, B – Black, S – Stainless Steel and D – Universal Silver

Model No.	RF264LXS	RF263LXT	RF114PXS	RF111PXS	RF110AXS	RF301OXT
Capacity (cu. ft.)	4.8	4.8	4.8	4.8	4.8	3.7
Controls	Electronic	Electronic	Electronic	Knob	Knob	Knob
<b>Cooktop</b>						
6" High-Speed Coil Element (1,500 Watts)	2	2	2	—	—	—
8" High-Speed Coil Element (2,600 Watts)	2	2	2	—	—	—
6" Coil Element (1,250 Watts)	—	—	—	3	3	3
8" Coil Element (2,100 Watts)	—	—	—	1	1	1
Upswept, Porcelain SpillGuard™ Cooktop	Yes	Yes	Yes	Yes	Yes	Yes
Drip Pans	Porcelain	Chrome	Chrome	Chrome	Chrome	Chrome
Cooktop "On" Indicator Light	Yes	Yes	Yes	Yes	Yes	—
<b>Oven</b>						
AccuBake® Temperature Management System	Yes	—	—	—	—	—
Delay Bake	Yes	Yes	—	—	—	—
Custom Broil	Yes	Yes	Yes	—	—	—
Clock and Timer	Yes	Yes	Yes	—	—	—
Control Lockout	Yes	Yes	—	—	—	—
Oven Light	Automatic	Automatic	Automatic	Manual	Manual	Manual
Oven Window	EasyView™	EasyView™	Yes	Yes	—	—
2 Adjustable Racks	Yes	Yes	Yes	Yes	Yes	Yes
Self-Cleaning System	Yes	Yes	—	—	—	—
<b>Overall Features</b>						
Full-Width Storage Drawer	Yes	Yes	Yes	Yes	Yes	Yes
Approx. Shipping Weight (lbs.)	136	138	141	155	155	160
Total Connected Load (kwh) @ 240 Volts @ 208 Volts	10.1 Kwh 7.9 KWH	10.1 8.0	14.1 Kwh 10.6 Kwh	14.1 Kwh 10.6 Kwh	14.1 Kwh 10.6 Kwh	8.8 Kwh 7.9 Kwh
Color Availability*	Q, B	Q, B, T, S	Q, B, T	Q, W	Q	W

\* Q – White, T – Biscuit, B – Black, S – Stainless Steel and W – White with Black

# FREESTANDING GAS RANGE FEATURES & SPECIFICATIONS

Model No.	Whirlpool Gold®		WFG381LV	WFG371LV
	GFG471LV	GFG461LV		
Capacity (cu. ft.)	5.0	5.0	5.0	5.0
Control System	Electronic	Electronic	Electronic	Electronic
<b>Cooktop</b>				
Recessed Cooktop	Yes	Yes	Yes	Yes
Upswept, Porcelain SpillGuard™ Cooktop	Yes	Yes	Yes	Yes
Grates	Full-Width, Cast-Iron	Full-Width, Cast-Iron	Full-Width, Cast-Iron	Full-Width, In-Sump Cast-Iron
Sealed Burners	Yes	Yes	Yes	Yes
5,000 BTU Burner	1	1	1	1
7,000 BTU Burner	—	—	—	—
7,500 BTU Fish Burner	—	—	—	—
8,000 BTU Burner	—	—	—	—
9,000 BTU Burner	—	—	—	—
9,500 BTU Burner	1	1	1	1
11,500 BTU Burner	—	—	—	—
13,500 BTU Power™ Burner	—	—	—	—
15,000 BTU Power™ Burner	1	1	—	2
15,500 BTU Power™ Burner	—	—	2	—
17,000 BTU Power™ Burner	1	1	—	—
8,000 BTU Middle Burner	1	1	1	—
Center Griddle	—	—	—	—
<b>Oven</b>				
TimeSaver™ Convection Cooking System	Yes	Yes	—	—
AccuBake® Temperature Management System	Yes	Yes	Yes	Yes
Rapid Preheat	Yes	Yes	—	—
Broiler/Bake Burner BTU/Hr. Rating	10,000/16,500	10,000/16,500	10,000/16,500	10,000/16,500
Delay Bake	Yes	Yes	Yes	Yes
Oven Hold Warm	Yes	Yes	Yes	Yes
Custom Broil	Yes	Yes	Yes	Yes
Sabbath Mode	Yes	Yes	—	—
Control Lock	Yes	Yes	Yes	Yes
Clock and Timer	Yes	Yes	Yes	Yes
Oven Light	Automatic	Automatic	Automatic	Automatic
Adjustable Racks	2	2	2	2
Adjustable Split Rack	1	—	—	—
Oven Window	EasyView™	EasyView™	EasyView™	EasyView™
Drawer	Warming	Storage	Storage	Storage
Self-Cleaning System	Precise Clean™	Precise Clean™	Adjustable Time	Adjustable Time
<b>Overall Features</b>				
Metal Handle	S	S	S	S
Colors Available*	Q, B, S	Q, T, B, S	Q, B, S	Q, B, S

\* Q – White, T – Biscuit, B – Black, S – Stainless Steel, W – White with Black and D – Universal Silver

WFG361LV	WFG231LV	WFG114SV	WFG111SV	WFG110AV
5.0	4.4	4.4	4.4	4.4
Electronic	Electronic	Electronic	Knob	Knob

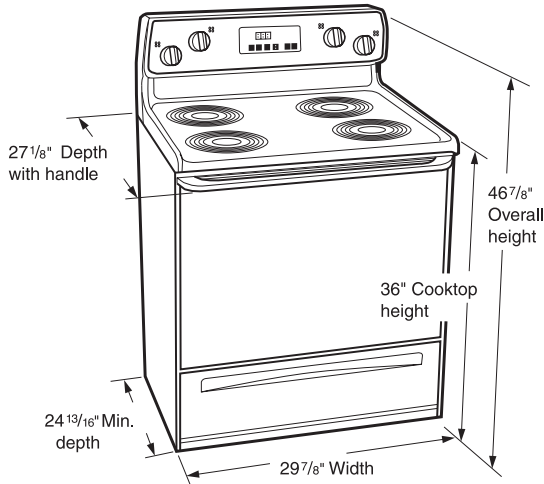
—	—	—	—	—
Yes	Yes	Yes	Yes	Yes
Cast-Iron	Cast-Iron	Steel	Steel	Steel
Yes	Yes	Yes	—	—
1	—	—	—	—
—	3	—	—	—
—	1	—	—	—
—	1	—	—	—
—	—	—	—	—
2	—	3	4	4
—	—	1	—	—
1	—	—	—	—
—	—	—	—	—
—	—	—	—	—
—	—	—	—	—
—	—	—	—	—
—	Yes	—	—	—

—	—	—	—	—
Yes	—	—	—	—
—	—	—	—	—
10,000/16,500	10,000/16,500	10,000/16,500	10,000/16,500	10,000/16,500
Yes	—	—	—	—
Yes	—	—	—	—
Yes	—	—	—	—
—	—	—	—	—
Yes	—	—	—	—
Yes	—	—	—	—
Automatic	Manual	Manual	Manual	—
2	2	2	2	2
—	—	—	—	—
EasyView™	EasyView™	Yes	Yes	—
Storage	Broiler	Broiler	Broiler Compartment	Broiler Compartment
Adjustable Time	—	—	Precise Clean™	—

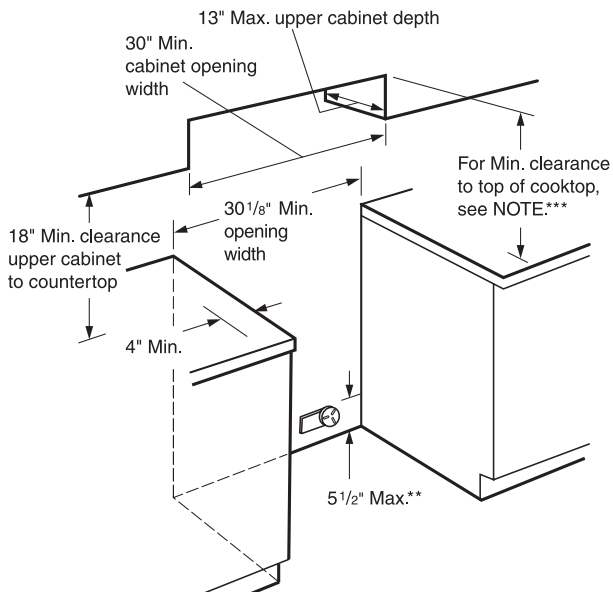
S	—	S	S	S
Q, T, B, S, D	Q, B, S	Q, B, S	Q, T, B, S	Q, B, S

# FREESTANDING ELECTRIC RANGE DIMENSIONS

Models GFE471LV, GFE461LV, WFE381LV, WFE371LV, WFE366LV, WFE361LV, WFE301LV, RF264LXS, RF263LXT, RF114PXS\*, RF111PXS\* and RF110AXS\*



\* Models RF114PXS, RF111PXS and RF110AXS  
 - Do not seal range to the side cabinets.  
 - If cabinet depth is greater than 24", oven frame must extend beyond cabinet fronts by 1/2" minimum.  
 - These are not flush-to-cabinet models.



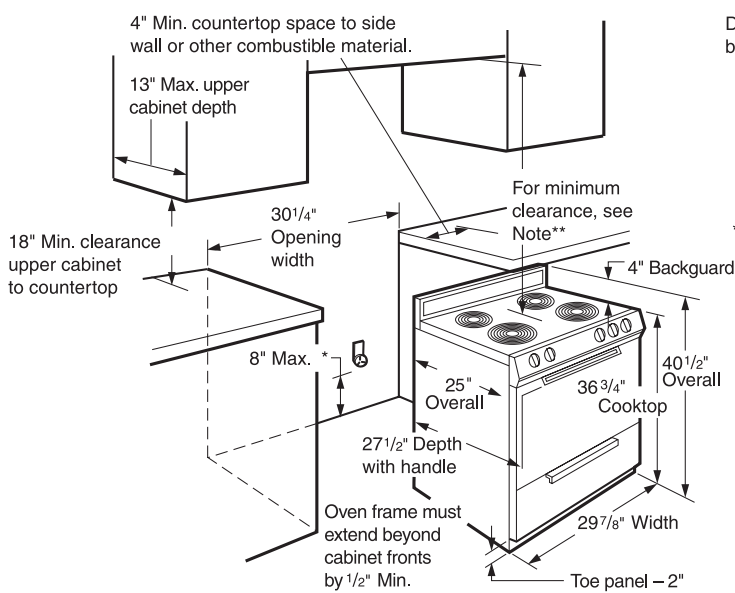
Do not pinch the power supply cord between the range and the wall.

\*\* Wall receptacle - 8" to 22" from either cabinet, 5 1/2" Max. from floor. Position receptacle as shown.

\*\*\* NOTE: 30" Min. when bottom of wood or metal cabinet is protected by not less than 1/4" flame retardant millboard covered with not less than No. 28 MSG sheet steel, 0.015" stainless steel, 0.024" aluminum or 0.020" copper.

36" Min. clearance between the top of the cooking platform and the bottom of an unprotected wood or metal cabinet.

## Model RF301OXT



Do not pinch the power supply cord between the range and the wall.

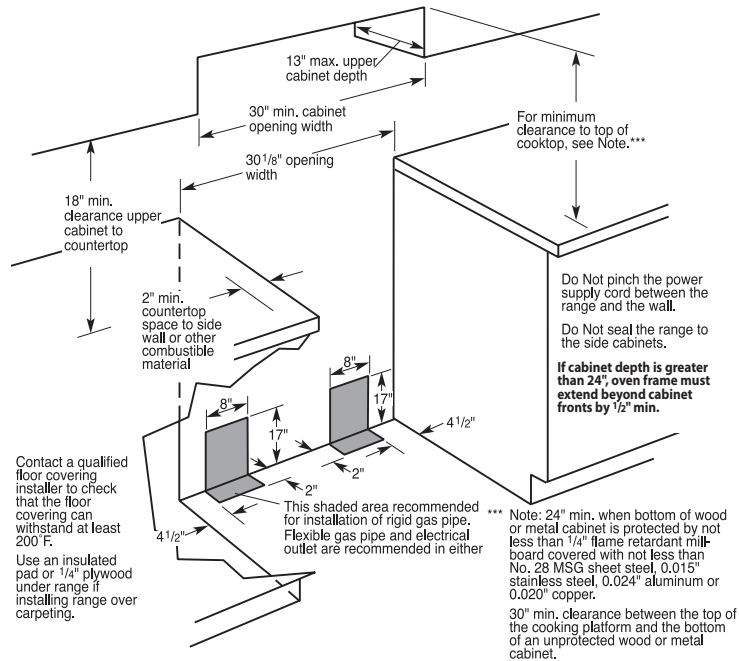
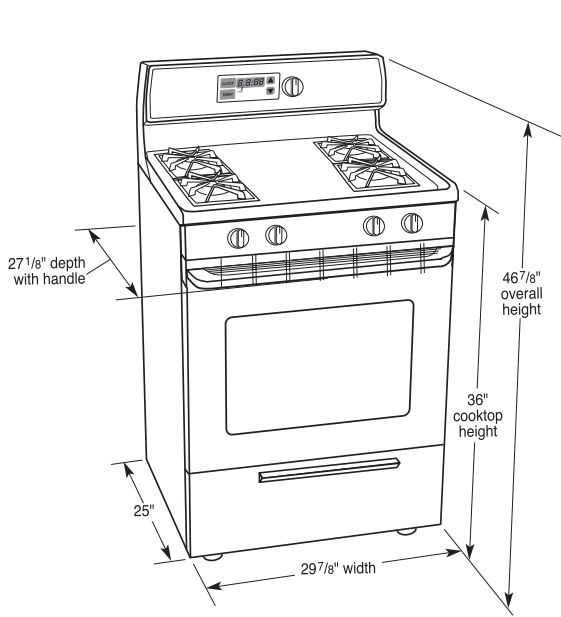
\* Wall receptacle - 6" Max. from right or left of center of range 8" Max. from floor. Position receptacle as shown.

\*\* NOTE: 24" Min. when bottom of wood or metal cabinet is protected by not less than 1/4" flame retardant millboard covered with not less than No. 28 MSG sheet steel, 0.015" stainless steel, 0.024" aluminum or 0.020" copper.

30" Min. clearance between the top of the cooking platform and the bottom of an unprotected wood or metal cabinet.

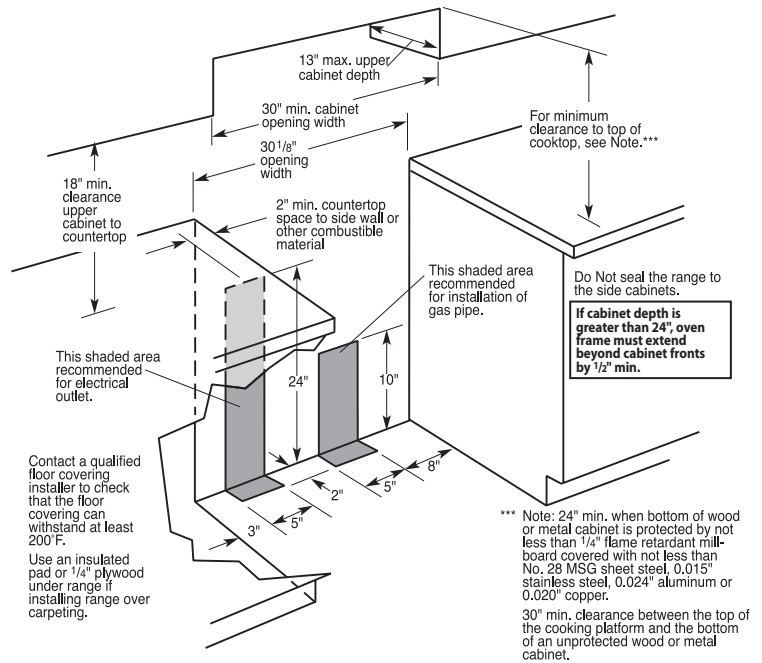
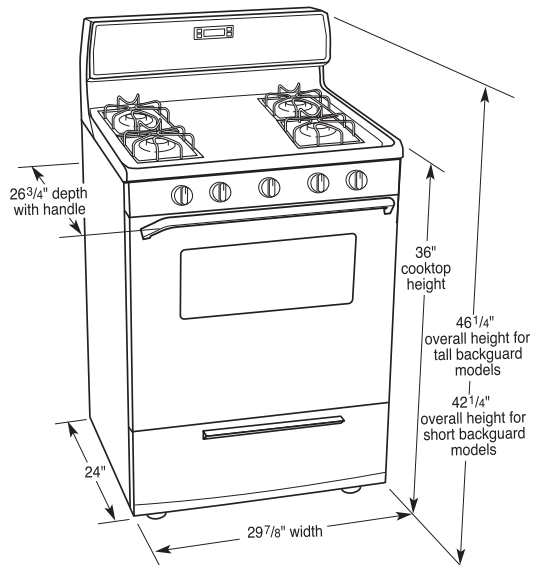
# FREESTANDING GAS RANGE DIMENSIONS

Models GFG471LV, GFG461LV, WFG381LV, WFG371LV, WFG361LV



Models WFG231LV, WFG114SV, WFG111SV, WFG110AV  
 (WFG110AV does not have a window)

**These are not flush-to-cabinet models.**



# SLIDE-IN GAS RANGE FEATURES & SPECIFICATIONS

Model No.	Whirlpool Gold®	
	GW399LXU	GW397LXU
<b>Oven</b>		
Temperature Management System	AccuBake®	AccuBake®
Capacity (cu. ft.)	4.5	4.5
Cleaning System	Self-Clean	Self-Clean
Automatic Light	Yes	Yes
Light Switch	Touch-Pad	Touch-Pad
Adjustable Racks	2 Full-Width/1 Split	2 Full-Width
Rack Guides	5	5
Broiler	Waist-High	Waist-High
Glass Door	Yes	Yes
Window	Extra Large	Extra Large
Bake Burner BTU/hr. Rating (Nat./LP)	15,500/15,500	15,500/15,500
Broil Burner BTU/hr. Rating (Nat./LP)	10,000/9,000	10,000/9,000
<b>Cooktop</b>		
Porcelain-on-Steel SpillGuard™	Yes	Yes
Burner Type	Sealed	Sealed
Ignition	Electronic	Electronic
Surface Burner BTU/hr. Rating (Nat./LP):		
Left Rear	5,000	5,000
Right Front	16,000	14,000
Left Front	12,500	9,200
Right Rear	9,200	9,200
Total Load Gas BTU (Nat./LP):	65,000/58,500	65,000/58,500
Burner Grates	2-Piece Porcelain-Coated-Full-Width Cast-Iron Q—Grey B/S—Black	2-Piece Porcelain-Coated-Full-Width Cast-Iron B/S—Black Q, T—Grey
Non-Turn Grates	Yes	Yes
Lift-Off Control Knobs	Yes	Yes
<b>Controls</b>		
Controls	Electronic	Electronic
Removable Glass Control Panel	—	—
<b>General Information</b>		
Storage Drawer	Yes	Yes
LP Conversion Kit Included	Yes	Yes
Anti-Tip Brackets	Yes	Yes
Approx. Shipping Weight (lbs.)	239	239
Color Availability*	Q, B, S	Q, T, B, S

\* Q—White, T—Biscuit, B—Black and S—Stainless Steel

## SLIDE-IN GAS RANGE REQUIREMENTS

Do not pinch the power supply cord between the range and the wall.

Do not seal the range to the side cabinets.

25" countertop depth.

24" base cabinet depth.

36" countertop height.

\* When installed in a 24" (61 cm) base cabinet with 25" (63.5 cm) countertop; front of oven door protrudes 2 1/2" (6.4 cm) beyond 24" (61 cm) base cabinet.

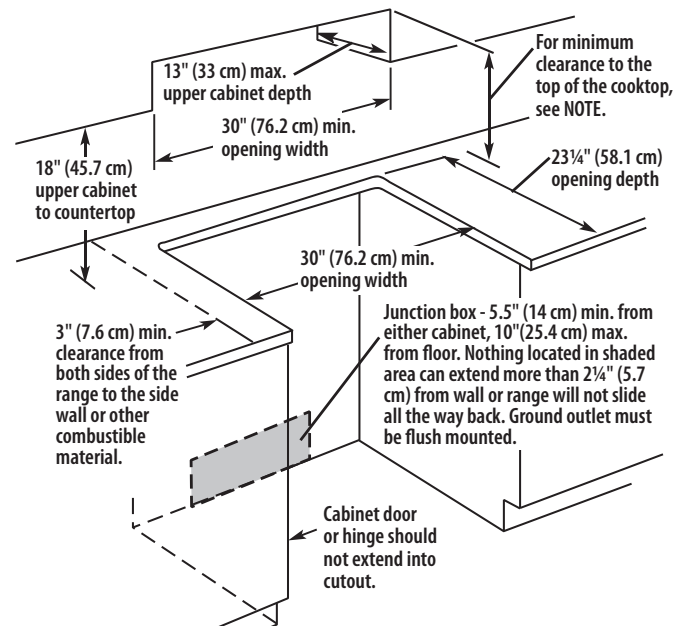
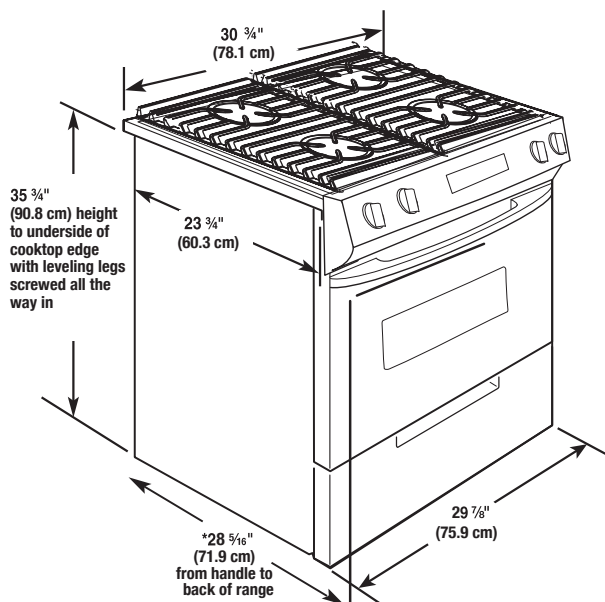
\*\* NOTE: 24" (61 cm) minimum when bottom of wood or metal cabinet is protected by not less than 1/4" (0.64 cm) flame retardant millboard covered with not less than No. 28 MSG sheet steel, 0.015" (0.4 mm) aluminum or 0.020" (0.5 mm) copper. 30" (76.2 cm) minimum clearance between the top of the cooking platform and the bottom of an unprotected wood or metal cabinet.

Contact a qualified floor covering installer to check that the floor covering can withstand at least 200°F.

Use an insulated pad or 1/4" plywood under range if installing range over carpeting.

## SLIDE-IN GAS RANGE DIMENSIONS

Models GY399LXU, GY397LXU and RY160LXT



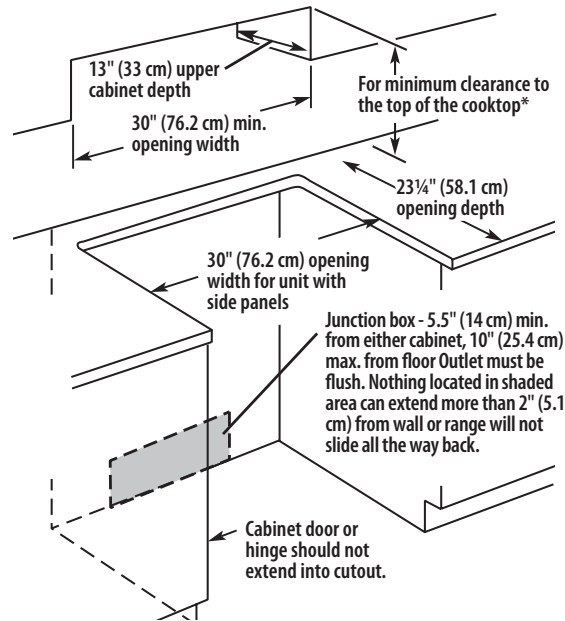
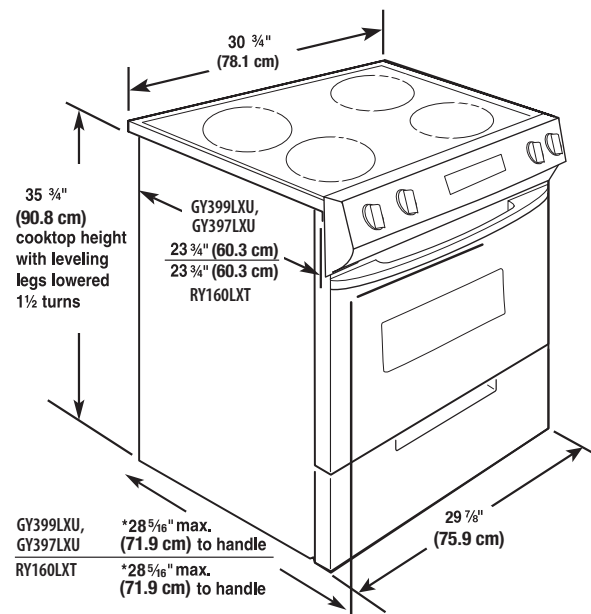
# SLIDE-IN ELECTRIC RANGE FEATURES & SPECIFICATIONS

Model No.	Whirlpool Gold®		RY160LXT
	GY399LXU	GY397LXU	
<b>Oven</b>			
Convection	True	—	—
Temperature Management System	AccuBake®	AccuBake®	—
Delay Bake	Yes	Yes	Yes
Capacity (cu. ft.)	4.5	4.5	4.3
Hidden Bake	Yes	—	—
Cleaning System	Self-Clean	Self-Clean	Self-Clean
Auto Self-Clean Latch	Yes	Yes	—
Automatic Light	Yes	Yes	—
Light Switch	Touch-Pad	Touch-Pad	Rocker
Adjustable Racks	2 Full-Width/ 1 Split	2 Full-Width	2 Full-Width
Rack Guides	5	5	5
Glass Door	Yes	Yes	Yes
Window	Extra Large	Extra Large	Extra Large
<b>Cooktop</b>			
Ceramic-Glass CleanTop®	Yes	Yes	—
Porcelain-on-Steel Cooktop	—	—	Yes
Surface Elements	(2) 6", (1) 6/9", (1) 9/12" Radiant	(2) 6", (2) 6/9" Radiant	(2) 6", (2) 8" Coil
Drip Bowls	—	—	Chrome
Surface Unit Indicator Lights	Yes	Yes	—
<b>Controls</b>			
Controls	H1	H1	M1
<b>General Information</b>			
Storage Drawer	Yes	Yes	Yes
Approx. Shipping Weight (lbs.)	200	200	200
Color Availability*	Q, B, S	Q, T, B, S	Q, B, S

\* Q – White, T – Biscuit, B – Black and S – Stainless Steel

## SLIDE-IN ELECTRIC RANGE DIMENSIONS

Models GY399LXU, GY397LXU and RY160LXT



Cabinet opening dimensions shown are for 25" (64 cm) countertop depth, 24" (61 cm) base cabinet depth and 36" (91.4 cm) countertop height.

If installing a range hood or microwave hood combination above the range, follow the range hood or microwave hood combination installation instructions for dimensional clearances above the cooktop surface.

## SLIDE-IN ELECTRIC RANGE REQUIREMENTS

Do not pinch the power supply cord between the range and the wall.

Do not seal the range to the side cabinets.

25" countertop depth.

24" base cabinet depth.

36" countertop height.

\* When installed in a 24" (61 cm) base cabinet with 25" (63.5 cm) countertop, front of oven door protrudes 2 1/2" (6.4 cm) beyond 24" (61 cm) base cabinet.

\*\* Note: 24" (61 cm) minimum when bottom of wood or metal cabinet is protected by not less than 1/4" (0.64 cm) flame-retardant millboard covered with not less than No. 28 MSG sheet steel, 0.015" (0.4 mm) stainless steel, 0.024" (0.6 mm) aluminum, or 0.020" (0.5 mm) copper. 30" (76.2 cm) minimum clearance between the top of the cooking platform and the bottom of an unprotected wood or metal cabinet.

Contact a qualified floor covering installer to check that the floor covering can withstand at least 200° F.

Use an insulated pad or 1/4" plywood under range if installing range over carpeting.

# DROP-IN ELECTRIC RANGE FEATURES & SPECIFICATIONS

Model No.	WDE350LV	WDE150LV	WDE101LV
<b>Oven</b>			
Temperature Management System	AccuBake®	AccuBake®	—
Capacity (cu. ft.)	4.3	4.3	4.3
Cleaning System	Self-Clean	Self-Clean	Standard
Automatic Light	Yes	Yes	—
Light Switch	Touch-Pad	Touch-Pad	Touch-Pad
Adjustable Racks	2 Full-Width	2 Full-Width	2 Full-Width
EasyView™ Extra Large Window	Yes	Yes	Yes
<b>Cooktop</b>			
Ceramic-Glass CleanTop®	Yes	—	—
Porcelain-on-Steel SpillGuard™	—	Yes	Yes
Elements	(2) 6" and (2) 6"/9" Radiant	(2) 6", (2) 8" High-Speed Coil	(2) 6", (2) 8" Coil
Drip Bowls	—	Chrome	Chrome
<b>Controls</b>			
Controls	Electronic	Electronic	Electronic
Custom Broil	Yes	Yes	Yes
<b>General Information</b>			
Total Connected Load (kwh): @ 240 Volts	12.7	13.3	11.8
@ 208 Volts	9.5	10	8.9
Approx. Shipping Weight (lbs.)	182	160	160
Color Availability*	Q, B, S	Q, T, B, S	Q

\* Q – White, T – Biscuit, B – Black and S – Stainless Steel

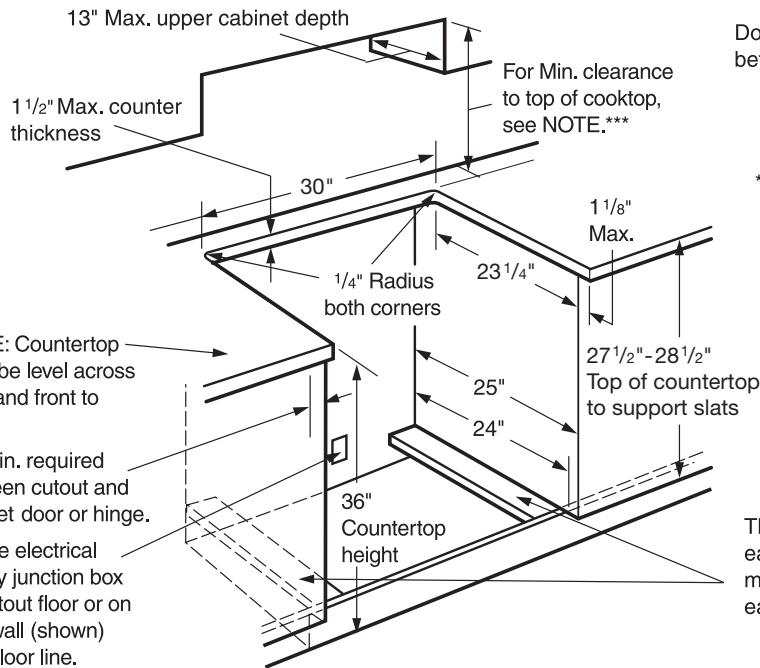
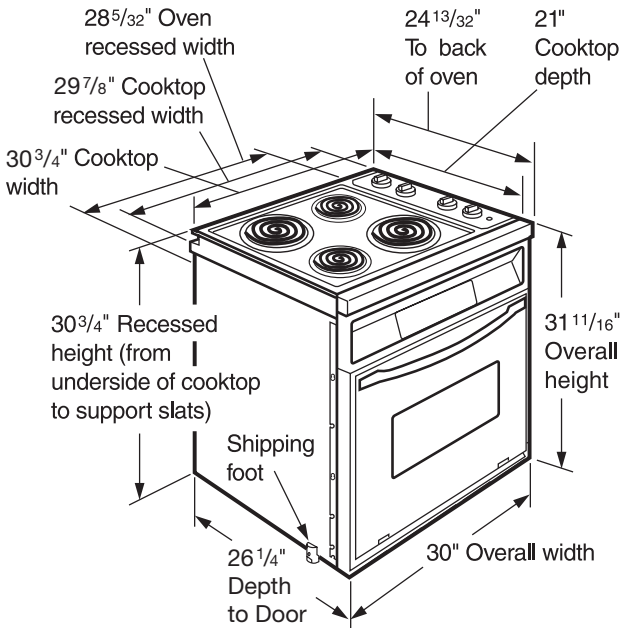
## OPTIONAL ACCESSORIES

(Do not ship with ranges)

<b>6" Backsplash Kits</b>	
Stainless Steel	UXA9107AAS
Black	UXA9107AAB
White	UXA9107AAW
Biscuit	UXA9107AAQ
<b>Filler Kits</b>	
Black	FILL52 BLK
White	FILL52 WHT
Biscuit	FILL52 BIS

# DROP-IN ELECTRIC RANGE DIMENSIONS

Models WDE350LV\*, WDE150LV and WDE101LV



Do not pinch the power supply cord between the range and the wall.

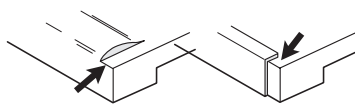
\*\*\* NOTE: 24" Min. when bottom of wood or metal cabinet is protected by not less than 1/4" flame retardant millboard covered with not less than No. 28 MSG sheet steel, 0.015" stainless steel, 0.024" aluminum or 0.020" copper.

30" Min. clearance between the top of the cooking platform and the bottom of an unprotected wood or metal cabinet.

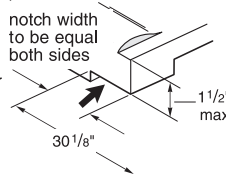
The use of a 3 1/2" wide support slat on each side is recommended. Slat must be level front to back and with each other.

## Countertop preparation:

**Front edges:** You may need to shave or cut the trim of formed or metal front-edged countertops to clear the 30" width of cooktop.

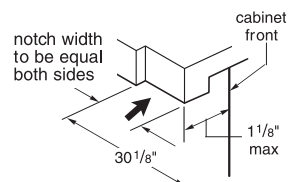


**If countertop thickness is more than 1 1/2" inches thick:** Countertop must be notched as shown to avoid damaging the oven control panel.



**If countertop extends more 1 1/8" beyond cabinet front:**

Notch countertop as shown to clear oven control panel.



\*Image shown for visual reference only.

Dimensions are for planning purposes only. For complete details, see Installation Instructions packed with product. Specifications subject to change without notice.