

# SIDE-BY-SIDE REFRIGERATOR FEATURES & SPECIFICATIONS

| Model No.                             | Whirlpool Gold® Counter Depth        |                                       |                                       |                                       |
|---------------------------------------|--------------------------------------|---------------------------------------|---------------------------------------|---------------------------------------|
|                                       | DesignerFit®<br>GC5NHAXV<br>GC3NHAXV | DesignerFit®<br>GC5SHEXN              | DesignerFit®<br>GC3SHEXN              | DesignerFit®<br>GC3JHAXT              |
| <b>Capacity</b>                       |                                      |                                       |                                       |                                       |
| Total Volume (cu. ft.)                | 24.5/23.1                            | 24.5                                  | 23.1                                  | 23.1                                  |
| Refrigerator Volume (cu. ft.)         | 14.9/14.0                            | 14.9                                  | 14.0                                  | 14.0                                  |
| Freezer Volume (cu. ft.)              | 9.6/9.1                              | 9.6                                   | 9.1                                   | 9.1                                   |
| Total Shelf Area (sq. ft.)            | 26/26                                | 25.05                                 | 25.05                                 | 25.05                                 |
| ENERGY STAR® Qualified†               | Yes                                  | Yes                                   | Yes (20%)                             | Yes (20%)                             |
| <b>Refrigerator</b>                   |                                      |                                       |                                       |                                       |
| In-Door-Air® Door Cooling System      | Yes                                  | Yes                                   | Yes                                   | —                                     |
| Electronic Controls                   | Drop-Down                            | Drop-Down                             | Drop-Down                             | Drop-Down                             |
| 6 Month Filtration System**           | PuR®                                 | PuR®                                  | PuR®                                  | PuR®                                  |
| Filter Indicator Light Location       | On Dispenser                         | On Dispenser                          | On Dispenser                          | On Dispenser                          |
| Adjustable Cantilever Shelves         | Slide-Out<br>SpillGuard™ Glass       | Slide-Out<br>SpillGuard™ Glass        | Slide-Out<br>SpillGuard™ Glass        | Slide-Out<br>SpillGuard™ Glass        |
| EZ-Tote® Door Bin                     | Yes — 3                              | Yes — 1                               | Yes — 1                               | —                                     |
| Clear Humidity-Controlled Crisper     | Yes                                  | Yes                                   | Yes                                   | Yes                                   |
| Clear Temperature-Controlled Meat Pan | Yes                                  | Yes                                   | Yes                                   | Yes                                   |
| Clear Snack Pan                       | Yes                                  | Yes                                   | Yes                                   | Yes                                   |
| Clear Gallon Door Bins                | Yes                                  | Yes                                   | Yes                                   | Yes                                   |
| Opaque Adjustable Gallon Door Bins    | —                                    | —                                     | —                                     | —                                     |
| Can Rack                              | —                                    | —                                     | —                                     | —                                     |
| Butter/Utility Compartment            | Yes                                  | Yes                                   | Yes                                   | Yes                                   |
| Wine Rack                             | —                                    | Yes                                   | Yes                                   | —                                     |
| No-Slip Blue Door Bin Mats            | Yes — 2                              | Yes — 3                               | Yes — 3                               | —                                     |
| <b>Freezer</b>                        |                                      |                                       |                                       |                                       |
| In-Door-Ice® Ice Dispensing System    | Yes                                  | Yes                                   | Yes                                   | Yes                                   |
| Ice and Water Dispenser               | Fast Fill<br>Dispensing System       | Electronic EZ-Touch™<br>Cubed/Crushed | Electronic EZ-Touch™<br>Cubed/Crushed | Electronic EZ-Touch™<br>Cubed/Crushed |
| Dispenser Lockout                     | Yes                                  | Yes                                   | Yes                                   | Yes                                   |
| Light                                 | Yes                                  | Yes                                   | Yes                                   | Yes                                   |
| Factory-Installed Ice Maker           | Icemagic® Plus                       | Icemagic® Plus                        | Icemagic® Plus                        | Icemagic® Plus                        |
| Tilt-Out Freezer Door Bins            | 2                                    | 2                                     | 2                                     | —                                     |
| HandyIce™ Ice Pack                    | —                                    | Yes                                   | Yes                                   | —                                     |
| Freezer Compartment Shelves           | 4                                    | 4                                     | 4                                     | 4                                     |
| Slide-Out Bins/Baskets                | 2-Full Extension/<br>3 Baskets       | 2-Full Extension/<br>3 Baskets        | 2-Full Extension/<br>2 Baskets        | 3 Full-Width Baskets                  |
| <b>Construction</b>                   |                                      |                                       |                                       |                                       |
| Contoured Doors                       | —                                    | —                                     | —                                     | —                                     |
| Foam-In-Place Doors                   | Yes                                  | Yes                                   | Yes                                   | Yes                                   |
| Double Tub Construction               | Yes                                  | Yes                                   | Yes                                   | Yes                                   |
| Textured Steel Doors/Cabinet          | Yes                                  | Yes                                   | Yes                                   | Textured Doors                        |
| Auto Exterior Moisture Control        | Yes                                  | Yes                                   | Yes                                   | Yes                                   |
| Color-Coordinated Handles             | Yes                                  | Yes/Black on S                        | Yes/Black on L & S                    | Yes                                   |
| Color-Coordinated Grille              | Yes                                  | Yes                                   | Yes                                   | Yes                                   |
| Full-Length Door Handles              | Yes                                  | Yes                                   | Yes                                   | Short Metal                           |
| <b>General Information</b>            |                                      |                                       |                                       |                                       |
| Adjustable Rubber Rollers/Levelers    | Yes                                  | Yes                                   | Yes                                   | Yes                                   |
| Color Availability*                   | GC5—Q, B, S, Y<br>GC3—Q, B, S, A, Y  | Q, T, B, S                            | Q, T, B, S                            | Q, B, L, S                            |

\* Q – White, T – Biscuit, B – Black, S – Stainless Steel, L – Satina® Stainless Look Finish, Y – Monochromatic Stainless Steel, A – Monochromatic Satina® Stainless Look Finish, and, K – Stainless Steel with Stainless Steel Cabinet

\*\* Order replacement filter and PuR® replacement filter #4396710

† As an ENERGY STAR® partner, Whirlpool Corporation has determined that products carrying the ENERGY STAR® emblem meet the ENERGY STAR® guidelines for energy efficiency. ©ENERGY STAR is a U.S. Registered Mark.

| Whirlpool Gold® |          | GS5DHAXV | GD5DHAXV | ED5FHAXV<br>ED2KHAXV |
|-----------------|----------|----------|----------|----------------------|
| GS6NHAXV        | GS6NVEVX |          |          |                      |
| 25.6            | 25.6     | 25.6     | 25.4     | 25.3/21.8            |
| 15.5            | 15.5     | 15.5     | 15.4     | 15.4/14.5            |
| 10.1            | 10.1     | 10.1     | 9.9      | 9.9/7.4              |
| 25.1            | 24.1     | 25.1     | 25.9     | 25.9/22.8            |
| Yes             | Yes      | Yes      | Yes      | Yes                  |

|   |                             |                             |                             |                   |
|---|-----------------------------|-----------------------------|-----------------------------|-------------------|
| Yes                                     | Yes                         | —                           | —                           | —                 |
| Yes                                     | Yes                         | —                           | —                           | Yes               |
| PuR®                                    | PuR®                        | PuR®                        | PuR®                        | PuR®              |
| On Dispenser                            | On Dispenser                | On Dispenser                | On Dispenser                | On Dispenser      |
| Extra-Wide, Slide-Out SpillGuard™ Glass | Slide-Out SpillGuard™ Glass | Slide-Out SpillGuard™ Glass | Slide-Out SpillGuard™ Glass | SpillGuard™ Glass |
| Yes                                     | —                           | —                           | —                           | —                 |
| Yes                                     | Yes                         | Yes                         | Yes                         | Yes               |
| Yes                                     | Yes                         | Yes                         | Yes                         | Yes               |
| Yes                                     | Yes                         | Yes                         | Yes                         | Yes               |
| Yes                                     | Yes                         | Yes                         | Yes                         | Yes               |
| —                                       | —                           | —                           | —                           | —                 |
| —                                       | Yes                         | Yes                         | Yes                         | —                 |
| Yes                                     | Yes                         | Yes                         | Yes                         | Yes               |
| —                                       | —                           | —                           | —                           | —                 |
| Yes—2                                   | Yes—2                       | —                           | —                           | —                 |

|                             |                             |                         |                         |                         |
|-----------------------------|-----------------------------|-------------------------|-------------------------|-------------------------|
| Yes                         | Yes                         | Yes                     | Yes                     | Yes                     |
| Fast Fill Dispensing System | Fast Fill Dispensing System | EZ-Touch™ Cubed/Crushed | EZ-Touch™ Cubed/Crushed | EZ-Touch™ Cubed/Crushed |
| Yes                         | Yes                         | Yes                     | Yes                     | Yes                     |
| Yes                         | Yes                         | Yes                     | Yes                     | Yes                     |
| Yes                         | Yes                         | Yes                     | Yes                     | Yes                     |
| 3                           | 2                           | —                       | —                       | —                       |
| —                           | —                           | —                       | —                       | —                       |
| 3                           | 3                           | 3                       | 4                       | 4                       |
| 2 Baskets                   | 2 Baskets                   | 2 Baskets               | 2 Baskets               | 1 Bin                   |

|              |              |              |              |              |
|--------------|--------------|--------------|--------------|--------------|
| Yes          | Yes          | Yes          | —            | —            |
| Yes          | Yes          | Yes          | Yes          | Yes          |
| Yes          | Yes          | Yes          | Yes          | Yes          |
| Smooth Doors | Smooth Doors | Smooth Doors | Smooth Doors | Smooth Doors |
| Yes          | Yes          | Yes          | Yes          | Yes          |
| Yes          | Yes          | Yes          | Yes          | Yes          |
| Yes          | Yes          | Yes          | Yes          | Yes          |
| Mid-Length   | Mid-Length   | Mid-Length   | Mid-Length   | Mid-Length   |

|                     |            |            |            |   |
|---------------------|------------|------------|------------|---|
| Yes                 | Yes        | Yes        | Yes        | Yes                                       |
| Q, T, B, S, K, A, Y | Q, B, L, S | Q, B, A, Y | Q, B, A, Y | ED5—Q, T, B, A, S, Y<br>ED2—Q, T, B, L, S |

# SIDE-BY-SIDE REFRIGERATOR FEATURES & SPECIFICATIONS

| Model No.                             | ED5FHEXV<br>ED2FHEXV    | ED5HVEXV<br>ED2KVEXV    | ED5CHQXV<br>ED2CHQXV    |
|---------------------------------------|-------------------------|-------------------------|-------------------------|
| <b>Capacity</b>                       |                         |                         |                         |
| Total Volume (cu. ft.)                | 25.3/21.7               | 25.3/21.8               | 25.4/21.9               |
| Refrigerator Volume (cu. ft.)         | 15.4/14.4               | 15.4/14.4               | 15.4/14.5               |
| Freezer Volume (cu. ft.)              | 9.9/7.3                 | 9.9/7.4                 | 10.0/7.4                |
| Total Shelf Area (sq. ft.)            | 24.4/21.0               | 24.4/20.5               | 25.8/22.4               |
| ENERGY STAR® Qualified†               | Yes                     | Yes                     | —                       |
| <b>Refrigerator</b>                   |                         |                         |                         |
| In-Door-Air® Door Cooling System      | —                       | —                       | —                       |
| Electronic Controls                   | Backlit Slide           | —                       | —                       |
| 6 Month Filtration System**           | PuR®                    | UltraEase™ II           | —                       |
| Filter Indicator Light Location       | —                       | Yes                     | —                       |
| Adjustable Cantilever Shelves         | SpillGuard™ Glass       | SpillGuard™ Glass       | Fixed SpillGuard™ Glass |
| EZ-Tote® Door Bin                     | —                       | —                       | —                       |
| Clear Humidity-Controlled Crisper     | Yes                     | Standard                | Yes                     |
| Clear Temperature-Controlled Meat Pan | Yes                     | Standard                | Yes                     |
| Clear Snack Pan                       | Yes                     | —                       | Yes                     |
| Clear Gallon Door Bins                | Yes                     | —                       | —                       |
| Opaque Adjustable Gallon Door Bins    | —                       | Yes                     | Yes                     |
| Can Rack                              | —                       | —                       | —                       |
| Butter/Utility Compartment            | Yes                     | Yes                     | Yes                     |
| Wine Rack                             | —                       | —                       | —                       |
| No-Slip Blue Door Bin Mats            | —                       | —                       | —                       |
| <b>Freezer</b>                        |                         |                         |                         |
| In-Door-Ice® Ice Dispensing System    | —                       | —                       | —                       |
| Ice and Water Dispenser               | EZ-Touch™ Cubed/Crushed | EZ-Touch™ Cubed/Crushed | EZ-Touch™ Cubed/Crushed |
| Dispenser Lockout                     | Yes                     | Yes                     | —                       |
| Light                                 | Yes                     | —                       | —                       |
| Factory-Installed Ice Maker           | Yes                     | Yes                     | Yes                     |
| Tilt-Out Freezer Door Bins            | —                       | —                       | —                       |
| HandyIce™ Ice Pack                    | —                       | —                       | —                       |
| Freezer Compartment Shelves           | 4                       | 4                       | 4/3                     |
| Slide-Out Bins/Baskets                | 1 Bin                   | 1 Bin                   | 1 Bin                   |
| <b>Construction</b>                   |                         |                         |                         |
| Contoured Doors                       | —                       | —                       | —                       |
| Foam-In-Place Doors                   | Yes                     | Yes                     | Yes                     |
| Double Tub Construction               | Yes                     | Yes                     | Yes                     |
| Textured Steel Doors/Cabinet          | Yes                     | Yes                     | Yes                     |
| Auto Exterior Moisture Control        | Yes                     | Yes                     | Yes                     |
| Color-Coordinated Handles             | Yes                     | Yes/Black on L          | Yes                     |
| Color-Coordinated Grille              | Yes                     | Yes/Black on L          | Yes                     |
| Full-Length Door Handles              | Yes                     | Yes                     | Yes                     |
| <b>General Information</b>            |                         |                         |                         |
| Adjustable Rubber Rollers/Levelers    | Yes                     | Yes                     | Yes                     |
| Color Availability*                   | Q, B, T, L, S           | Q, B, L                 | Q, T, B                 |

\* Q – White, T – Biscuit, B – Black, S – Stainless Steel, L – Satina® Stainless Look Finish, Y – Monochromatic Stainless Steel and A – Monochromatic Satina® Stainless Look Finish

\*\* Order replacement filter and PuR® replacement filter #4396710

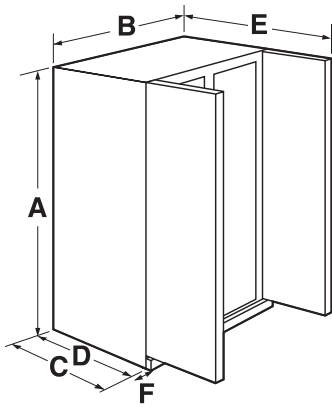
† As an ENERGY STAR® partner, Whirlpool Corporation has determined that products carrying the ENERGY STAR® emblem meet the ENERGY STAR® guidelines for energy efficiency. ©ENERGY STAR is a U.S. Registered Mark.

# SIDE-BY-SIDE DIMENSIONS

| Model No. | Height Overall* (TOC)<br>A | Cabinet Width**<br>B | Depth Including Hardware & Handles<br>C | Minimum width of any doorway refrigerator must pass through | Depth Extreme Swing of Door<br>E |
|-----------|----------------------------|----------------------|---|---|----------------------------------|
|           |                            |                      |   | Depth Less Door and Base Grille<br>D                        |                                  |
| GC5NHAXV  | 71 1/2                     | 35 3/8               | 29 7/8                                  | 24 3/4  | 45 3/8                           |
| GC3NHAXV  | 68 1/2                     | 35 3/8               | 30 1/8                                  | 24 3/4  | 45 1/2                           |
| GC5SHEXN  | 71 7/8                     | 35 3/8               | 30 1/8                                  | 24 3/4  | 45 1/2                           |
| GC3SHEXN  | 68 1/2                     | 35 3/8               | 30                                      | 24 3/4  | 45 1/2                           |
| GC3JHAXT  | 68 3/4                     | 35 3/8               | 30 1/8                                  | 24 3/4  | 45 1/2                           |
| GF6NFEXT  | 68 7/8                     | 35 1/2               | 35 1/4                                  | 29 1/4  | 50                               |
| GS6NHAXV  | 68 7/8                     | 35 1/2               | 33 1/4                                  | 29 1/4  | 50                               |
| GS6NVEXV  | 68 7/8                     | 35 1/2               | 35 1/4                                  | 29 1/4  | 50                               |
| GS5DHAXV  | 68 7/8                     | 35 1/2               | 33 1/4                                  | 29 1/4  | 50                               |
| GD5DHAXV  | 68 7/8                     | 35 1/2               | 33 3/4                                  | 29 1/4  | 49 7/8                           |
| ED5FHAXV  | 68 7/8                     | 35 1/2               | 33 3/4                                  | 29 1/4  | 49 7/8                           |
| ED2KHAXV  | 65 7/8                     | 32 3/4               | 35 1/4                                  | 29 1/4  | 50                               |
| ED5FHEXV  | 68 7/8                     | 35 1/2               | 33 3/4                                  | 29 1/4  | 49 7/8                           |
| ED2FHEXV  | 65 7/8                     | 32 3/4               | 33 3/4                                  | 29 1/4  | 49 7/8                           |
| ED5HVEXV  | 68 7/8                     | 35 1/2               | 33 3/4                                  | 29 1/4  | 49 7/8                           |
| ED2KVEXV  | 65 7/8                     | 32 3/4               | 33 3/4                                  | 29 1/4  | 49 7/8                           |
| ED5CHQXV  | 68 7/8                     | 35 1/2               | 33 3/4                                  | 29 1/4  | 49 7/8                           |
| ED2CHQXV  | 65 7/8                     | 32 3/4               | 33 3/4                                  | 29 1/4  | 49 7/8                           |

\* Height to top of cabinet. Add 7/8" for hinge cover.

\*\* Add 1/2" to each side for recessed installation. Add 5" for corner applications for GF6NFEXR, GS6NBEXR, ES5FHAXS and ES2FHAXS models. All dimensions are shown in inches.



## STAINLESS STEEL SIDE PANEL ACCESSORY KITS

Order stainless steel side panel kit #4396351 for 25, 26 & 27 cu. ft. side-by-side. Kit #4396748 for counter depth model. Kit #4396749 for 25' counter depth model. (Kit contains one side panel—two kits are needed per refrigerator.)

# SIDE-BY-SIDE REFRIGERATOR DIMENSIONS

## PERIMETER KITS

| Model No. | Color           | Perimeter Kit |
|-----------|-----------------|---------------|
| GC5SHEXNQ | White           | 4396789       |
| GC5SHEXNT | Biscuit         | 4396791       |
| GC5SHEXNB | Black           | 4396790       |
| GC5SHEXNS | Stainless Steel | 4396792       |
| GC3SHEXNQ | White           | 4396771       |
| GC3SHEXNT | Biscuit         | 4396769       |
| GC3SHEXNB | Black           | 4396770       |
| GC3SHEXNS | Stainless Steel | 4396768       |

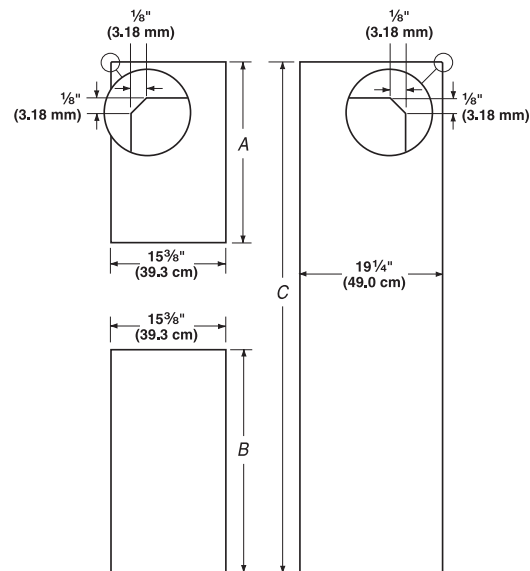
NOTE: Add 3" to each side for ease of installation and 3" at top for air circulation. When planning a recessed installation, add 3" of air space to each side and 2" in back.

## RAISED PANELS

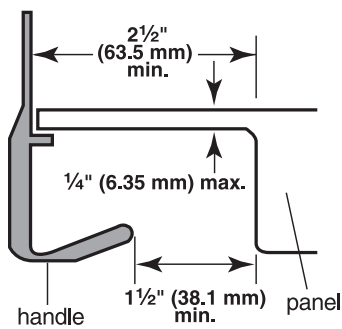
A raised panel design can be created by screwing or gluing wood panels to 1/4" (6.35 mm) backing or by using 3/4" (19.05 mm) stock with routed edges. Raised panels should be spaced 2 1/4" (5.07 mm) from the back edge of the handle to allow room for fingers to grasp the handle.

| Model | A       | B       | C       |
|-------|---------|---------|---------|
| 23    | 21 1/8" | 29 1/4" | 64 7/8" |
| 25    | 20 3/4" | 32 1/2" | 67 3/4" |

All dimensions are shown in inches.  
Routing dimensions for custom panels more than 1/4" thick.



Handle side detail



Top, bottom and side trim detail

