

TOP-MOUNT REFRIGERATOR FEATURES & SPECIFICATIONS

Model No.	Whirlpool Gold®		ET1FTEXV ET8FTEXV	ET1CHEXV	ET8CHEXV
	GR2SHWXV	GR2FHM XV GR9FHM XV			
Capacity					
Total Volume (cu. ft.)	21.7	21.7/18.9	20.9/18.2	20.9	18.2
Refrigerator Volume (cu. ft.)	15.2	15.2/13.9	14.5/13.2	14.5	13.2
Freezer Volume (cu. ft.)	6.5	6.5/5.0	6.4/5.0	6.4	5.0
Total Shelf Area (sq. ft.)	25.7	26.1/23.4	25.1/22.3	25.1	22.3
2008 ENERGY STAR® Qualified†	Yes	Yes	Yes	Yes	Yes
Refrigerator					
EZ-Touch™ Water Filtration Dispenser System	6 Month UltraEase™ II	—	—	—	—
Adjustable Glass Shelves	SpillGuard™ (Slide-out)	4 SpillGuard™	3 SpillMizer™	4 SpillMizer™	4 SpillMizer™
DuraWhite™ Wire Shelves	—	—	—	—	—
Clear Crisper(s)	2 Humidity Controlled	2 Humidity Controlled	2 Humidity Controlled	2 Humidity Controlled	2 Humidity Controlled
Opaque Crisper(s)	—	—	—	—	—
Clear Meat Pan	Yes	Yes	Yes	Yes	Yes
Adjustable Door Bins	Clear	Clear	Opaque	Opaque	Opaque
Fixed Door Storage	—	—	—	—	—
Gallon Door Storage	Yes	Yes	Yes	Yes	Yes
Utility Shelf/Compartment	Flexi-Slide™	Flexi-Slide™	Flip-Up	Flip-Up	Flip-Up
Premium Lighting	Yes	Yes	—	—	—
Egg Bin	Yes	Yes	—	Yes	Yes
Up-Front Temp Control(s)	Yes	Yes—Dual	Yes—Dual	Yes	Yes
Freezer					
Pull-Out Freezer Floor	Flexi-Glide™	—	—	—	—
Automatic Ice Maker	Yes	Yes	Optional**	Yes	Yes
Removable Shelf	Yes	Yes	Yes	Yes	Yes
Wire Basket(s) or Door Storage	2 Tilt-Out Door Bins	—	—	—	—
Light	Yes	Yes	—	—	—
General Information					
Contoured Doors	Yes	Yes	—	—	—
Door Handle(s)	Integrated	Integrated	Bow	Bow	Bow
Accu-Chill™ System	Yes	Yes	Yes	Yes	Yes
Foam-in-Place Doors	Yes	Yes	Yes	Yes	Yes
Double Tub Construction	Yes	Yes	Yes	Yes	Yes
Textured Steel Cabinet	Yes	Yes	Yes	Yes	Yes
Reversible Doors	Yes	Yes	Yes	Yes	Yes
Auto Exterior Moisture Control	Yes	Yes	Yes	Yes	Yes
Adjustable Rubber Rollers/Levelers	Yes	Yes	Yes	Yes	Yes
Approx. Shipping Weight (lbs.)	250	250 /240	230/220	230	220
Color Availability*	Q, B, S	GR2—Q, B, S, Y GR9—Q, B, S	Q, T, B	Q, T, B	Q, T, B

* Q—White, T—Biscuit, B—Black, S—Stainless Steel, L—Satina® Stainless Look Finish, Y—Monochromatic Stainless

** Accepts Icemagic® automatic ice maker kit part #ECKMF94; models GB9SHDXP and GB9SHKXM accept automatic ice maker kit part #AMKIT02.

† As an ENERGY STAR® partner, Whirlpool Corporation has determined that products carrying the ENERGY STAR® emblem meet the ENERGY STAR® guidelines for energy efficiency. ©ENERGY STAR is a U.S. Registered Mark.

TOP-MOUNT REFRIGERATOR FEATURES & SPECIFICATIONS

Model No.	ET8WTEXV ET8WTKXK ET8WTMXK	ET8WTKXV	ER8AHMXR ER8AHKXR	ET5WSEXV	ET6WSKXS ET4WSKXS ET4WSKYS
Capacity					
Total Volume (cu. ft.)	18.3	17.6	17.6	14.5	15.8/14.4
Refrigerator Volume (cu. ft.)	13.2	13.52	13.5	10.7	11.9/10.6
Freezer Volume (cu. ft.)	5.0	4.07	4.1	3.8	3.9/3.8
Total Shelf Area (sq. ft.)	22.3	20.3	18.1	16.5	17.6/16.3
2008 ENERGY STAR® Qualified†	ET8WTEXV	—	—	Yes	—
Refrigerator					
EZ-Touch™ Water Filtration Dispenser System	—	—	—	—	—
Adjustable Glass Shelves	—	—	SpillMizer™	—	—
DuraWhite™ Wire Shelves	2 Adjustable	2	—	2 Adjustable	2 Adjustable
Clear Crisper(s)	Yes—2	Yes—2	2 Humidity Controlled	—	—
Opaque Crisper(s)	—	—	—	Full-Width	Full-Width
Clear Meat Pan	Yes	Yes	Sliding	—	—
Adjustable Door Bins	—	—	—	—	—
Fixed Door Storage	Yes	Yes	Yes	Yes	Yes
Gallon Door Storage	Yes	Yes	Yes	Yes	Yes/—
Utility Shelf/Compartment	Yes	Yes	Yes	Yes	Yes
Premium Lighting	—	—	—	—	—
Egg Bin	—	—	—	—	—
Up-Front Temp Control(s)	Yes	Yes	Yes	Yes	Yes
Freezer					
Pull-Out Freezer Floor	—	—	—	—	—
Automatic Ice Maker	WTE/WTK—Optional** WTM—Yes	Optional**	AHM—Yes AHK—Optional**	Optional**	Optional**
Removable Shelf	—	—	Yes	Yes	Yes
Wire Basket(s) or Door Storage	—	—	—	—	—
Light	—	—	Yes	—	—
General Information					
Contoured Doors	—	—	Yes	—	—
Door Handle(s)	Bow	Bow	Integrated	Bow	Bow
Accu-Chill™ System	—	—	—	—	—
Foam-in-Place Doors	Yes	Yes	Yes	Yes	Yes
Double Tub Construction	Yes	Yes	Yes	Yes	Yes
Textured Steel Cabinet	Yes	Yes	Yes	Yes	Yes
Reversible Doors	Yes	Yes	Yes	Yes	Yes
Auto Exterior Moisture Control	Yes	Yes	Yes	Yes	Yes
Adjustable Rubber Rollers/Levelers	Yes	Yes	Yes	Yes	Yes
Approx. Shipping Weight (lbs.)	220	220	220	190	200
Color Availability*	WTE—Q WTK—Q, T, B WTM—Q, T	Q, T, B	AHM—Q, L AHK—Q, B, L, S	Q	Q, T

* Q – White, T – Biscuit, B – Black, S – Stainless Steel, L – Satina® Stainless Look Finish, and Y – Monochromatic Stainless

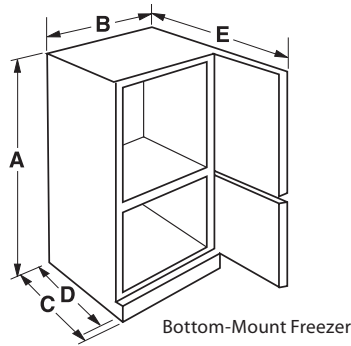
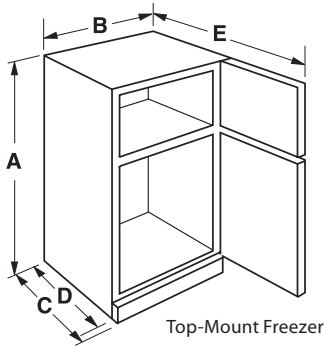
** Accepts Icemagic® automatic ice maker kit part #ECKMF94; models GB9SHDXP and GB9SHKXM accept automatic ice maker kit part #AMKIT02.

† As an ENERGY STAR® partner, Whirlpool Corporation has determined that products carrying the ENERGY STAR® emblem meet the ENERGY STAR® guidelines for energy efficiency. ©ENERGY STAR is a U.S. Registered Mark.

TOP-MOUNT & BOTTOM-MOUNT REFRIGERATOR DIMENSIONS

Model No.	TOC - Top of Cabinet. Add 3/4" for Hinge Cover	Door Width 1/4" Greater Than Cabinet Width	Depth Including Handles and Brackets on Back of Cabinet	Minimum width of any doorway refrigerator must pass through	Depth with Door Open 90°
	Height Overall (TOC) A	Cabinet Width B	Depth Including Handles C	Depth Less Door and Base Grille D	Depth Extreme Swing of Door E
GR2SHWXV	65 1/2	32 1/2	32 1/4	27 5/8	61 1/4
GR2FHMXV	65 1/2	32 1/2	31 1/2	27 5/8	61 1/4
GR9FHMXV	65 1/2	29 1/2	31 1/2	27 5/8	61 1/4
ET1FTEXV	65 1/2	32 1/2	31 3/8	27 5/8	61
ET8FTEXV	65 3/8	29 1/2	31 3/8	27 5/8	58
ET1CHEXV	65 1/2	32 1/2	31 3/8	27 5/8	61
ET8CHEXV	65 1/2	29 1/2	31 3/8	27 5/8	58
ET8WTEXV	65 1/2	29 1/2	31 3/8	27 5/8	58
ET8WTKXX	65 1/2	29 1/2	31 3/8	27 5/8	58
ET8WTMXX	65 1/2	29 1/2	31 3/8	28 1/4	58
ET8WTKXV	67 3/8	28	3 7/8	28 1/2	57
ER8AHMXR	67 3/8	28	31	27 5/8	56 1/4
ER8AHKXR	68	28	31	27 5/8	56 1/4
ET5WSEXV	62 3/4	28	32 7/8	27 3/4	57
ET6WSKXS	65 3/4	28	32 3/8	27 3/4	57
ET4WSKXS	62 1/8	28	31 1/2	27 3/4	57
ET4WSKYS	62 1/8	28	31 1/2	27 3/4	57
GI5FSAXV	68 5/8	35 5/8	35 1/4	29	48
GI5FVAXV	68 5/8	35 5/8	35 1/4	29	48
GX5FHTXV*	68 1/2	35 5/8	35 1/2	29 1/8	48
GX5FHDXV*	68 1/2	35 5/8	35 1/2	29 1/8	48
GB2SHDXT*	68 1/8	32 3/8	33 1/4	28 1/8	62
GB9SHDXP*	65 1/8	29 3/8	32 1/2	27 1/2	59 1/2
GB9SHKXM*	65 5/8	29 3/8	32 1/2	27 1/2	59 1/2

* Add 1 3/4" for hinge cover on bottom-mount models.
All dimensions are shown in inches.



REFRIGERATOR DOOR PANEL AND TRIM KITS

Model No.	Stainless Look Trim Kit	Stainless-Look Panel (Brushed Aluminum)
ET1FTEXV	2212731	2212734
ET8FTEXV	2212729	2212733
ET1CHEXV	2212731	2212734
ET8CHEXV	2212729	2212733
ET8WTEXV	2212729	2212733
ET8WTKXX	2212729	2212733
ET8WTMXX	2212729	2212733