

# VENTILATION SYSTEM FEATURES & SPECIFICATIONS

| Model No.                      | Whirlpool Gold®                                  |                                  |                                  |                                  |                                   |
|--------------------------------|--|----------------------------------|----------------------------------|----------------------------------|-----------------------------------|
|                                | Wall Canopy                                      | Pop-Up Downdraft                 | Slide-Out                        | High Performance                 | Under Cabinet/ Traditional Canopy |
|                                | GZ9730XS (30")<br>GZ9736XS (36")                 | GZ7930XH (30")<br>GZ7936XH (36") | GZ7730XG (30")<br>GZ7736XG (36") | GZ8330XL (30")<br>GZ8336XL (36") | GZ5730XR (30")<br>GZ5736XR (36")  |
| Type                           | Convertible                                      | Vented                           | Convertible                      | Convertible                      | Convertible                       |
| Duct Type                      |  |                                  |                                  |                                  |                                   |
| Round 6"                       | Yes  | —                                | —                                | —                                | —                                 |
| Round 7"                       | —  | —                                | —                                | —                                | Yes                               |
| Rectangular 3 ¼" x 10"         | —  | Yes                              | Yes                              | Yes                              | Yes                               |
| Washable Grease Filter         | Yes  | Yes                              | Yes                              | Yes                              | Yes                               |
| Vertical CFM                   |  |                                  |                                  |                                  |                                   |
| 6" Round                       | 370  | —                                | —                                | —                                | —                                 |
| 7" Round                       | —  | —                                | —                                | —                                | 220                               |
| 3 ¼" x 10"                     | —  | 600                              | 320                              | 360                              | 220                               |
| Horizontal CFM                 |  |                                  |                                  |                                  |                                   |
| 3 ¼" x 10"                     | —  | —                                | —                                | 350                              | 220                               |
| Vertical Sones                 |  |                                  |                                  |                                  |                                   |
| 6" Round                       | 7.0  | —                                | —                                | —                                | —                                 |
| 7" Round                       | —  | —                                | —                                | —                                | 3.0                               |
| 3 ¼" x 10"                     | —  | 6.5                              | 6.9                              | 5.5                              | 4.0                               |
| Horizontal Sones               | —  | —                                | —                                | 6.0                              | 4.0                               |
| Control                        | 3-Speed Automatic                                | Variable Speed Push Button       | 3-Speed Automatic                | Variable Speed                   | 2-Speed Rocker                    |
| Damper                         | —  | Yes                              | Yes                              | Yes                              | Yes                               |
| Blower                         | Dual Centrifugal Fan                             | Dual Centrifugal Fan             | Dual Centrifugal Fan             | Dual Centrifugal Fan             | Axial Fan                         |
| Light††                        | Halogen  | —                                | Fluorescent                      | 2-Level Incandescent             | 2-Level Halogen                   |
| Optional Panels                | —  | 30" Black – 8171301              | 30" Black – 4396066              | —                                | —                                 |
|                                | —  | 30" White – 8171300              | 30" White – 4396067              | —                                | —                                 |
|                                | —  | 30" Biscuit – 8171370            | 30" Biscuit – 8171368            | —                                | —                                 |
|                                | —  | 36" Black – 8171303              | 36" Black – 4396068              | —                                | —                                 |
|                                | —  | 36" White – 8171302              | 36" White – 4396069              | —                                | —                                 |
| Dimensions (in.)               | 5 ½ Hood Height<br>32-46 ½ Total Height x 19 ¾ D | 26H (up)†<br>12 ¾ H (dw) x 11 D  | 12 ¾ H x 11 D                    | 9 H x 20 D                       | 6 H x 17 ½ D                      |
| Approx. Shipping Weight (lbs.) | 46–49  | 54–57                            | 35–40                            | 32–34                            | 22–23                             |
| Color Availability*            | S  | S**                              | S**                              | S                                | Q, B, S                           |

\* Q – White, T – Biscuit, B – Black and S – Stainless Steel

\*\* S – Stainless Steel with Brushed Aluminum Trim

† Raised height from cooktop 8 ½".

†† Light bulbs not included.

| Model No.                      | Under Cabinet/Traditional Canopy  |                                  |                                  |                                  |                       |
|--------------------------------|-----------------------------------|----------------------------------|----------------------------------|----------------------------------|-----------------------|
|                                | RH4830XL (30")<br>RH4836XL (36")  | RH3730XL (30")<br>RH3736XL (36") | RH2630XJ (30")<br>RH2636XJ (36") | RH2330XJ (30")<br>RH2336XJ (36") | RH2030XJ (30")        |
| Type                           | Convertible                       | Convertible                      | Non-Vented                       | Vented                           | Vented                |
| Duct Type                      |                                   |                                  |                                  |                                  |                       |
| Round 7"                       | Yes                               | Yes                              | —                                | —                                | Yes                   |
| Rectangular 3 ¼" x 10"         | Yes                               | Yes                              | —                                | Yes                              | —                     |
| Washable Grease Filter         | Yes                               | Yes                              | Yes                              | Yes                              | Yes                   |
| Vertical CFM                   |                                   |                                  |                                  |                                  |                       |
| 7" Round                       | 220                               | 220                              | —                                | —                                | 190                   |
| 3 ¼" x 10"                     | 200                               | 190                              | —                                | 190                              | —                     |
| Horizontal CFM                 |                                   |                                  |                                  |                                  |                       |
| 3 ¼" x 10"                     | 170                               | 160                              | —                                | 160                              | —                     |
| Vertical Sones                 |                                   |                                  |                                  |                                  |                       |
| 7" Round                       | 4.5                               | 8.0                              | —                                | —                                | 8.0                   |
| 3 ¼" x 10"                     | 4.5                               | 7.0                              | —                                | 6.5                              | —                     |
| Horizontal Sones               | 4.5                               | 7.0                              | —                                | 6.5                              | —                     |
| Control                        | Variable Speed                    | Variable Speed                   | 2-Speed Rocker Switch            | 2-Speed Rocker Switch            | 2-Speed Rocker Switch |
| Damper                         | Yes                               | Yes                              | —                                | Yes                              | Yes                   |
| Blower                         | Axial Fan                         | Axial Fan                        | Axial Fan                        | Axial Fan                        | Axial Fan             |
| Light†                         | 2-Level Incandescent              | 2-Level Incandescent             | 2-Level Incandescent             | 2-Level Incandescent             | 2-Level Incandescent  |
| Dimensions (in.)               | 6 H x 17 ½ D                      | 6 H x 17 ½ D                     | 6 H x 17 ½ D                     | 6 H x 17 ½ D                     | 6 H x 17 ½ D          |
| Approx. Shipping Weight (lbs.) | 16–17                             | 13–15                            | 11–14                            | 12–13                            | 12                    |
| Color Availability*            | 36" – Q, B, S<br>30" – Q, T, B, S | Q, T, B, S                       | 36" – Q<br>30" – Q, T, B         | 36" – Q<br>30" – Q, T, B         | Q, T, B               |

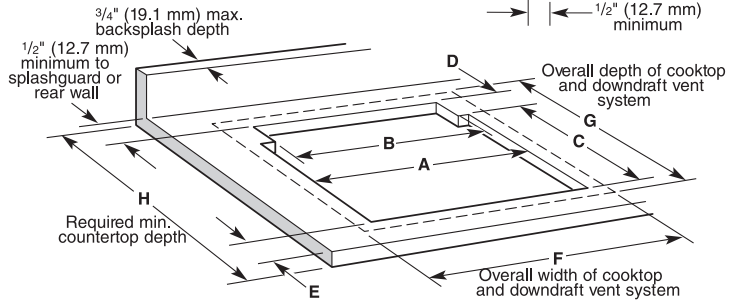
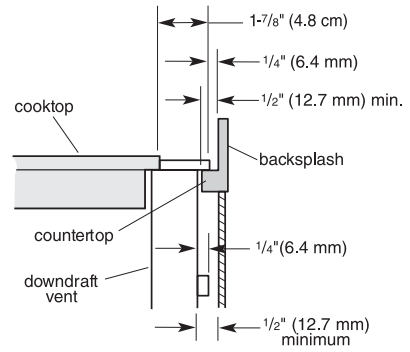
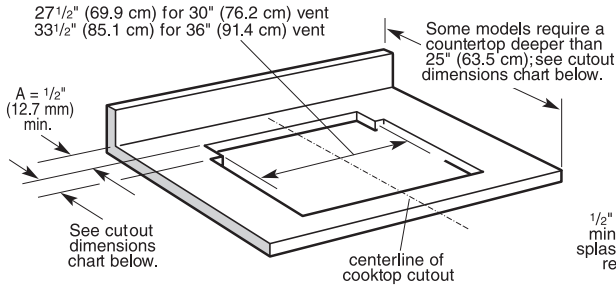
\* Q – White, T – Biscuit, B – Black and S – Stainless Steel

\*\* S – Stainless Steel with Brushed Aluminum Trim

† Light bulbs not included.

# VENTILATION SYSTEM DIMENSIONS

Countertop Cutout Dimensions for Installing Cooktops with Retractable Vent Systems.

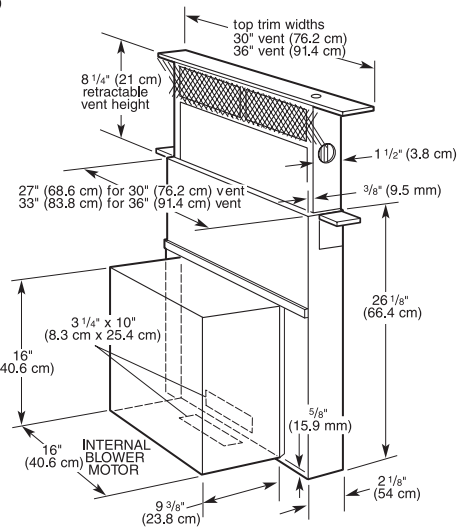
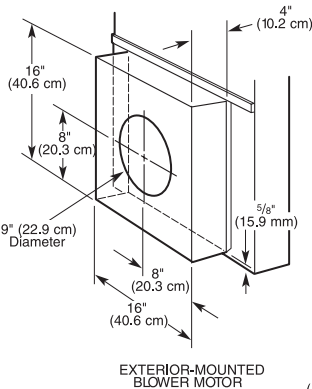
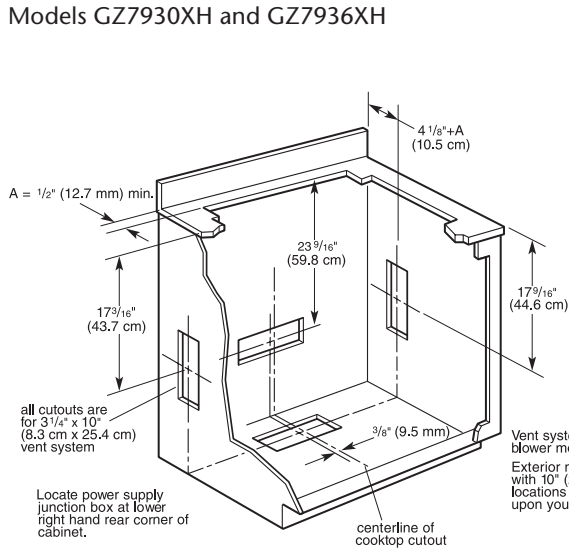


| Cooktop Model | Installed with Vent System Model | Size | A      | B      | C      | D     | E     | F       | G  | H      |
|---------------|----------------------------------|------|--------|--------|--------|-------|-------|---------|----|--------|
| GJC3034R*     | GZ7930XH                         | 30"  | 29 1/2 | 27 1/2 | 20 1/2 | 2     | 2     | 30 3/16 | 23 | 25 3/4 |
| GJC3634R*     | GZ7936XH                         | 36"  | 35 1/2 | 33 1/2 | 20 1/2 | 2     | 2     | 36 5/16 | 23 | 25 3/4 |
| GJC3655R*     | GZ7936XH                         | 36"  | 35 1/2 | 33 1/2 | 20 1/2 | 2     | 2     | 36 5/16 | 23 | 25 3/4 |
| GJC3055R*     | GZ7930XH                         | 30"  | 29 1/2 | 27 1/2 | 20 1/2 | 2     | 2     | 30 3/16 | 23 | 25 3/4 |
| GJC3654R*     | GZ7936XH                         | 36"  | 35 1/2 | 33 1/2 | 20 1/2 | 2     | 2     | 36 5/16 | 23 | 25 3/4 |
| GJC3054R*     | GZ7930XH                         | 30"  | 29 1/2 | 27 1/2 | 20 1/2 | 2 1/8 | 2     | 30 3/16 | 23 | 25 3/4 |
| RCC3024R*     | GZ7930XH                         | 30"  | 29 1/2 | 27 1/2 | 20 1/2 | 2     | 2     | 30      | 23 | 25 3/4 |
| RCS3014R*     | GZ7930XH                         | 30"  | 28 7/8 | 27 1/2 | 19     | 2 1/2 | 3     | 31 1/2  | 23 | 25 1/2 |
| RCS3004R*     | GZ7930XH                         | 30"  | 28 7/8 | 27 1/2 | 19     | 2 1/2 | 3     | 31 1/2  | 23 | 25 1/2 |
| GLS3675V      | GZ7936XH                         | 36"  | 35 1/4 | 33 1/2 | 19 3/8 | 2 1/8 | 1 3/4 | 32 1/2  | 23 | 25     |
| GLS3075V      | GZ7930XH                         | 30"  | 29     | 27 1/2 | 19 3/8 | 2 1/8 | 1 3/4 | 31 3/8  | 23 | 25     |
| GLT3657R      | GZ7936XH                         | 36"  | 35 1/4 | 33 1/2 | 19     | 2 1/8 | 1 3/4 | 36 5/8  | 23 | 25     |
| GLT3057R      | GZ7930XH                         | 30"  | 29     | 27 1/2 | 19     | 2 1/8 | 1 3/4 | 31 3/8  | 23 | 25     |
| SCS3617R      | GZ7936XH                         | 36"  | 35 1/4 | 33 1/2 | 19 3/8 | 2 1/8 | 1 3/4 | 37 1/2  | 23 | 25     |
| SCS3017R      | GZ7930XH                         | 30"  | 29     | 27 1/2 | 19 3/8 | 2 1/8 | 1 3/4 | 31 3/8  | 23 | 25     |

\* Installation with vent system requires countertop and base cabinet deeper than standard 25" deep countertop and 24" deep base cabinet. All dimensions are shown in inches.

# RETRACTABLE DOWNDRAFT VENTILATION SYSTEM DIMENSIONS

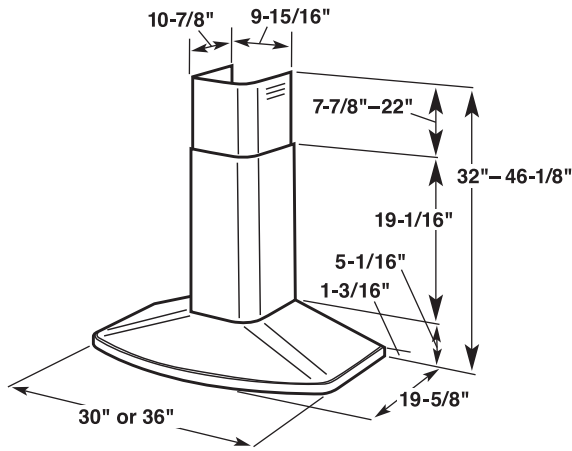
Models GZ7930XH and GZ7936XH



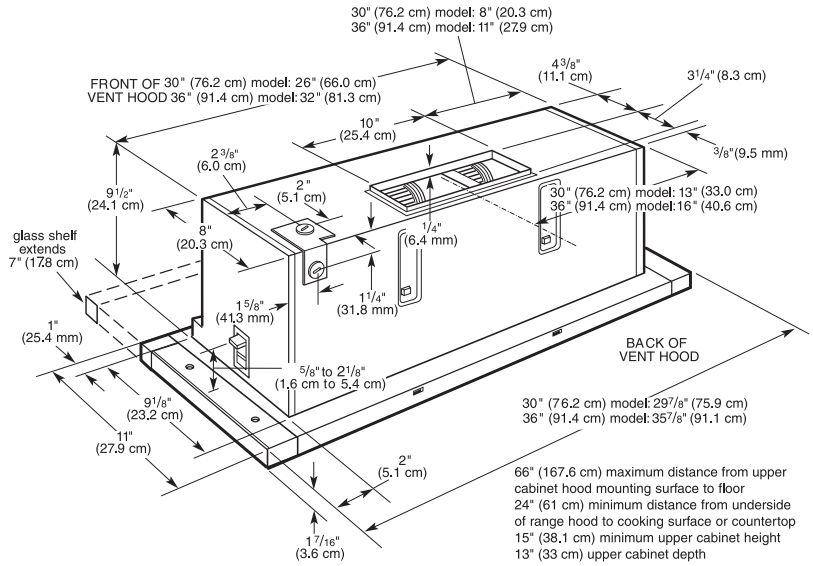
Dimensions are for planning purposes only. For complete details, see Installation Instructions packed with product. Specifications subject to change without notice.

# HOOD AND VENT PRODUCT DIMENSIONS

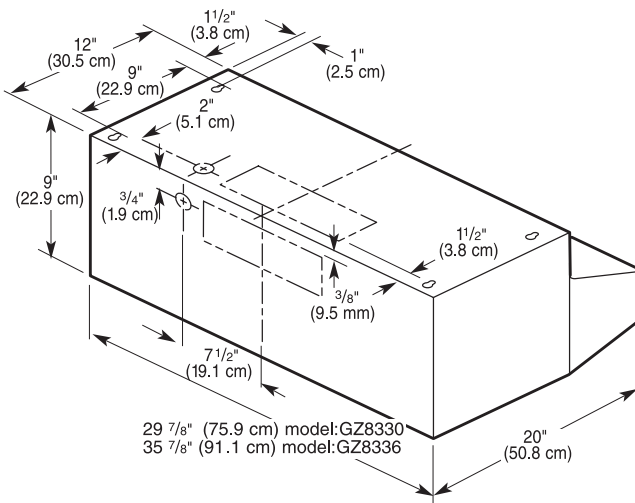
Models GZ9736XS (36") and GZ9730XS (30")



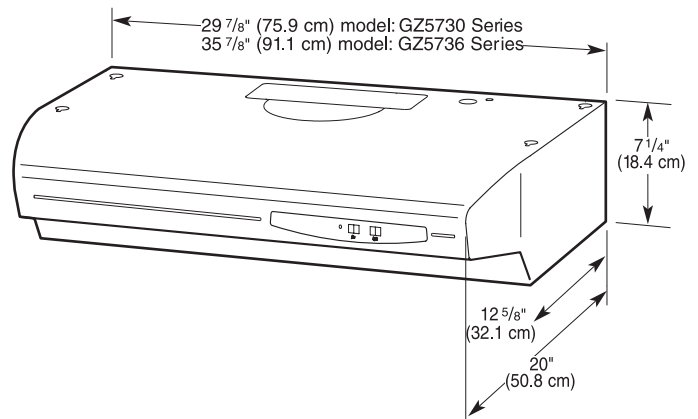
Models GZ7736XG (36") and GZ7730XG (30")



Models GZ8336XL (36") and GZ8330XL (30")



Models GZ5736XR (36") and GZ5730XR (30")



Models RH4836XL (36") and RH4830XL (30")

